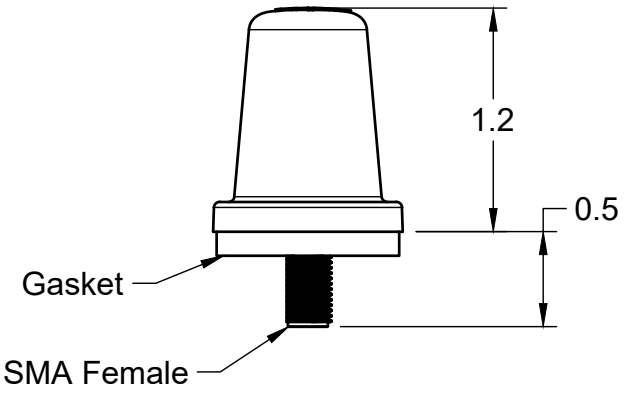
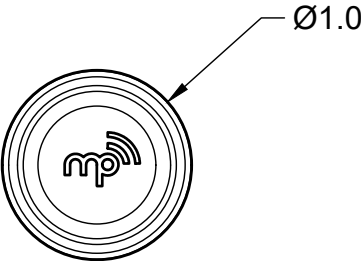
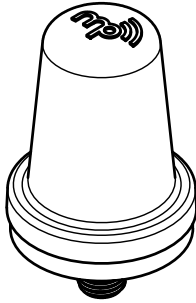



Frequency Range	Color	Connector Type	Max Mounting Surface Thickness	Mounting Hole Diameter
3.5-3.7 GHz	White	SMA Female	0.10 Inches	0.25 Inches



Notes:
 Mounting Nut, Washer, and Lockwasher Included
 Metallic Surface Mounting Only

MP ANTENNA, LTD. 147 Eady Court Elyria, Ohio 44035 www.mpantenna.com	THIRD ANGLE  DIMENSIONS ARE IN INCHES		PROPRIETARY AND CONFIDENTIAL THE INFORMATION CONTAINED IN THIS DRAWING IS THE SOLE PROPERTY OF MP ANTENNA, LTD. ANY REPRODUCTION IN PART OR AS A WHOLE WITHOUT THE WRITTEN PERMISSION OF MP ANTENNA LTD IS PROHIBITED.	DESCRIPTION: 3.5-3.7 GHz Ground Plane Mount Omni	PART NO. 08-ANT-1101-WH-C	
		NAME				DATE
	DRAWN	BM				10/25/22