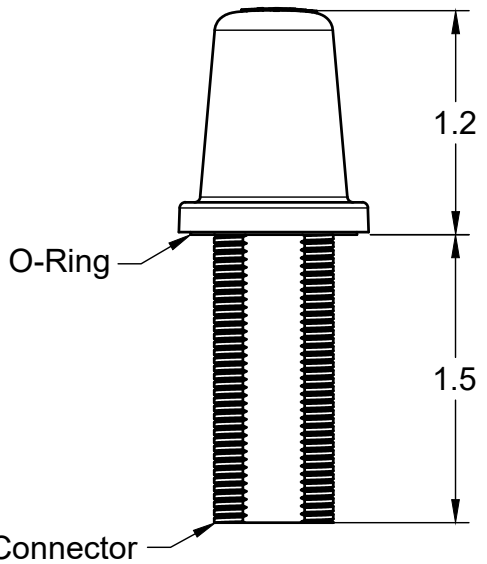
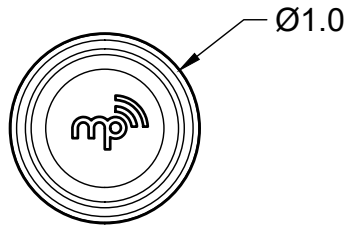
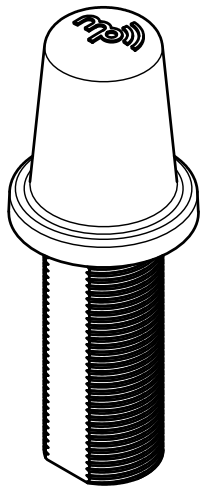


| | | | | |
|-----------------|-------|----------------|--------------------------------|------------------------|
| Frequency Range | Color | Connector Type | Max Mounting Surface Thickness | Mounting Hole Diameter |
| 2.4-2.5 GHz | White | N-Female | 0.9 Inches | 0.63 Inches |



Notes:
 Mounting Nut and Lockwasher Included
 Metallic Surface Mounting Only

| | | | | | | |
|---|---------------------------------------|------|--|--|---|---------|
| MP ANTENNA, LTD. 147 Eady Court Elyria, Ohio 44035 www.mpantenna.com | THIRD ANGLE DIMENSIONS ARE IN INCHES | | PROPRIETARY AND CONFIDENTIAL THE INFORMATION CONTAINED IN THIS DRAWING IS THE SOLE PROPERTY OF MP ANTENNA, LTD. ANY REPRODUCTION IN PART OR AS A WHOLE WITHOUT THE WRITTEN PERMISSION OF MP ANTENNA LTD IS PROHIBITED. | DESCRIPTION: 2.4-2.5 GHz Ground Plane Mount Omni | PART NO. 08-ANT-1099-WH-M-1.5 | |
| | | NAME | | | | DATE |
| | DRAWN | BM | | | | 10/7/22 |