



MP Antenna, LTD.
147 Eady Court
Elyria, Ohio 44035

440.387.5968 phone
440.545.3500 fax
www.mpantenna.com
sales@mpantenna.com

Part Number: 08-ANT-1095

model number: 08-ANT-1095
product description: 3.5-3.7GHz Omni Antenna

Electrical Data

frequency range: 3.5-3.7GHz	environmental cond.: Outdoor
gain: 3dBi	operation temperature: -40 to 85 deg C
vswr: <1.6:1	storage temperature: -40 to 85 deg C
horizontal pattern type: Omni Directional	transport temperature: -40 to 85 deg C
vertical patter type: Full	IP Rating: IP67
ground plane: Built In	RoHS - REACH Compliant
min ground plane : N/A	

Environmental Data

General Data

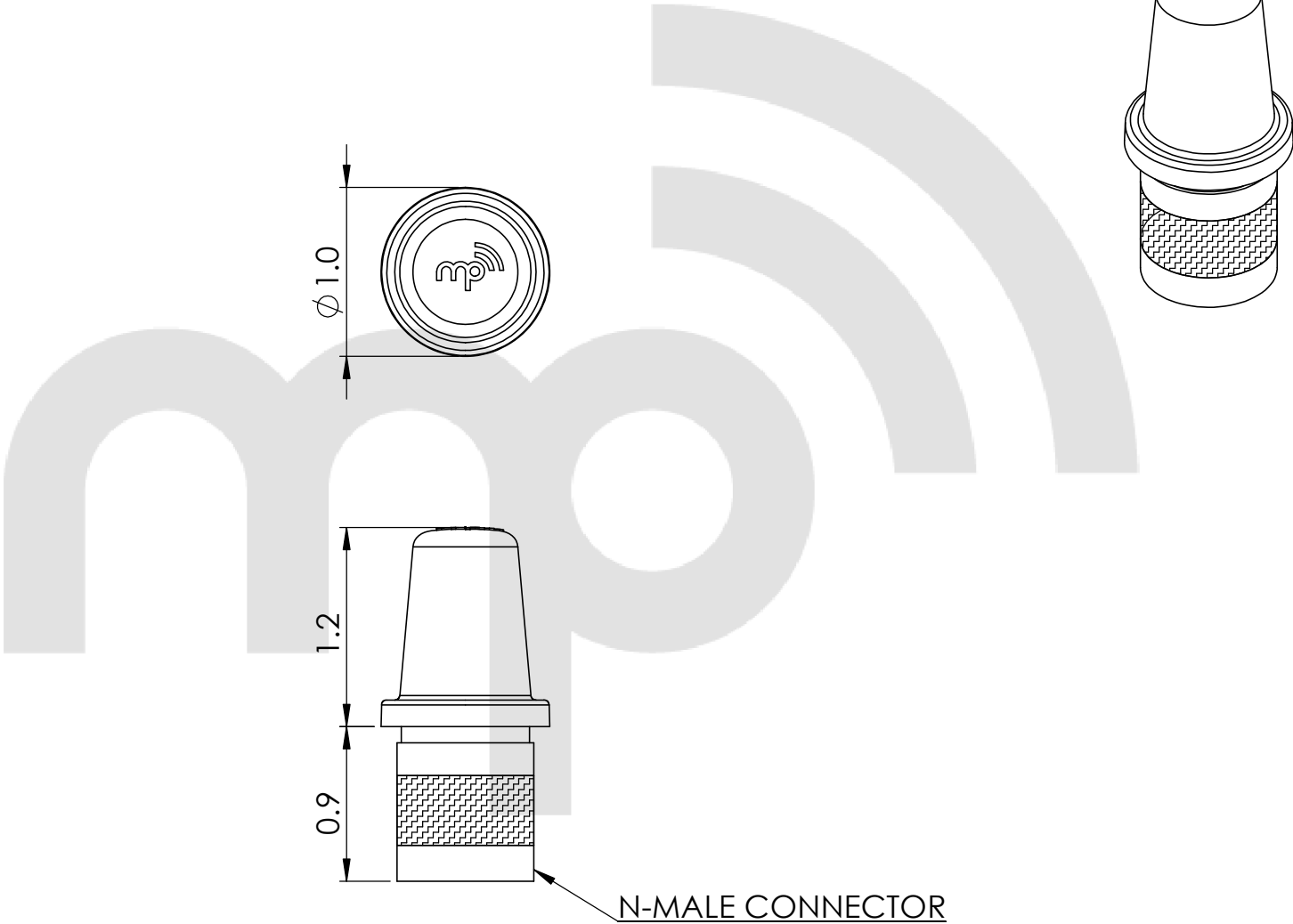
color: Black or White	length: 1.0 in
antenna feeds: One	width: 1.0 in
coax length: N/A	height: 1.2 in
coax type: N/A	total height: 1.9 in
connector type: N-Male	mounting type: Connector
polarization: Multi-Polarized	hardware included: N/A
power: 50 Watts Input	
impedance: 50 ohms Nominal	
construction: UV Stabilized ASA	

Mechanical Data

*** With built in spatial and polarization diversity, performance in obstructed environments is greater than that of standard antennas with similar or higher laboratory gains.**



FREQUENCY RANGE	COLOR
3.5-3.7 GHz	BLACK



MP ANTENNA, LTD.
 147 Eady Court
 Elyria, OH 44035
 www.mpantenna.com

THIRD ANGLE	DIMENSIONS ARE IN INCHES	
	NAME	DATE
DRAWN	BM	7/27/21

PROPRIETARY AND CONFIDENTIAL
 THE INFORMATION CONTAINED IN THIS DRAWING IS THE SOLE PROPERTY OF MP ANTENNA, LTD. ANY REPRODUCTION IN PART OR AS A WHOLE WITHOUT THE WRITTEN PERMISSION OF MP ANTENNA LTD IS PROHIBITED.

DESCRIPTION:
 3.5-3.7 GHz Micro Omni
 N-Male

PART NO.
 08-ANT-1095-BL-G



MP Antenna, LTD.
147 Eady Court
Elyria, Ohio 44035

440.387.5968 phone
440.545.3500 fax
www.mpantenna.com
sales@mpantenna.com

Part Number: 08-ANT-1095

model number: 08-ANT-1095
product description: 3.5-3.7GHz Omni Antenna

Frequency: 3.65GHz
Max Gain: 3dBi

