



MP Antenna, LTD.
147 Eady Court
Elyria, Ohio 44035

440.387.5968 phone
440.545.3500 fax
www.mpantenna.com
sales@mpantenna.com

Part Number: 08-ANT-1041

model number: 08-ANT-1041
product description: 4.9-6GHz Two Feed Bi-DirectionalAntenna

Electrical Data

frequency range:	4.9-6GHz
gain:	10dBi
vswr:	<1.5:1
horizontal pattern type:	Bi-Directional
vertical patter type:	Full
ground plane:	Built In
min ground plane :	N/A

Environmental Data

environmental cond.:	Outdoor
operation temperature:	-40 to 85 deg C
storage temperature:	-40 to 85 deg C
transport temperature:	-40 to 85 deg C
IP Rating:	IP67
RoHS - REACH	Compliant

General Data

color:	White
antenna feeds:	Two
coax length:	N/A
coax type:	N/A
connector type:	N-Female
polarization:	Multi-Polarized
power:	50 Watts Input
impedance:	50 ohms Nominal
construction:	UV Stabilized ASA

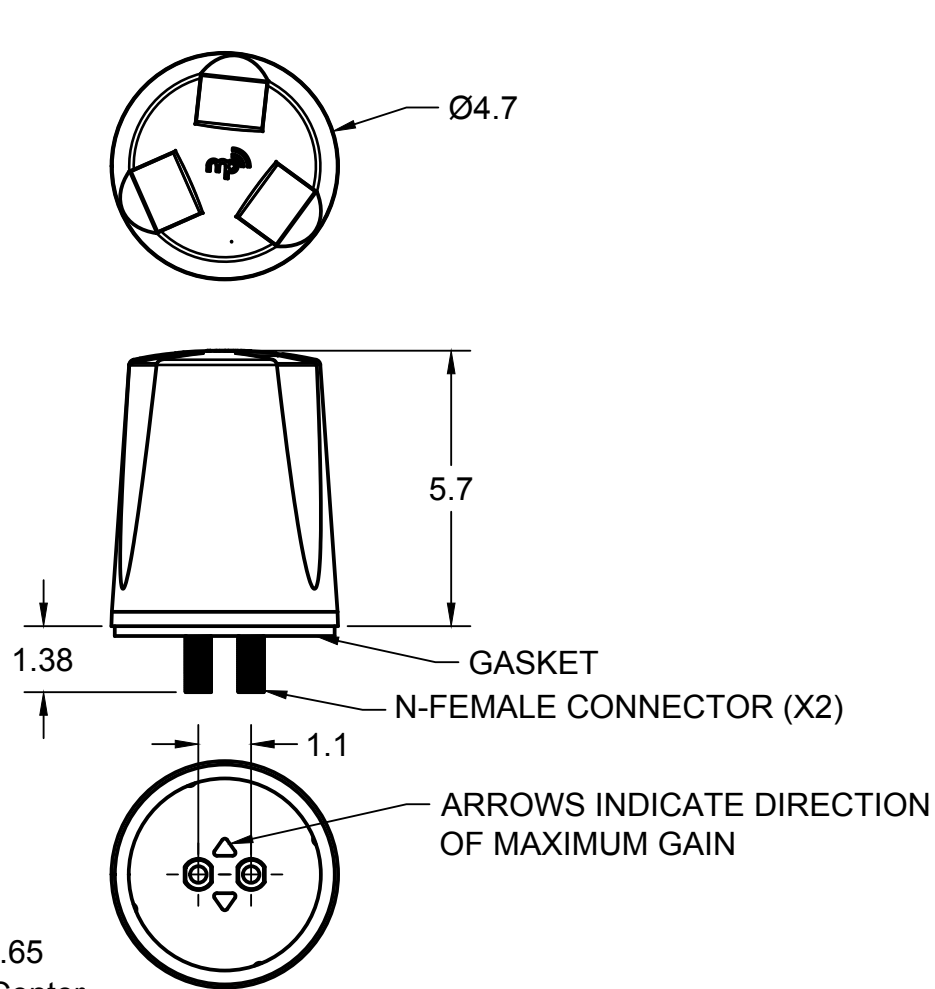
Mechanical Data

length:	4.70 in
width:	4.70 in
height:	5.70 in
mounting type:	Connector
hardware included:	Nut and Washer


*** With built in spatial and polarization diversity, performance in obstructed environments is greater than that of standard antennas with similar or higher laboratory gains.**



Frequency Range	Max Mounting Surface Thickness	Mounting Hole Diameter	Number of Feeds	Connector Type	Color
4.9-6 GHz	0.5 Inches	0.65 Inches (X2)	2	N-Female	White



- NOTES:
1. MOUNTING HARDWARE INCLUDED (NUT, WASHER, LOCKWASHER)
 2. Recommended Mounting Holes to be 0.65 Inches in Diameter, 1.1 Inches Center to Center

MP ANTENNA, LTD. 147 Eady Court Elyria, Ohio 44035 www.mpantenna.com	THIRD ANGLE  DIMENSIONS ARE IN INCHES		PROPRIETARY AND CONFIDENTIAL THE INFORMATION CONTAINED IN THIS DRAWING IS THE SOLE PROPERTY OF MP ANTENNA, LTD. ANY REPRODUCTION IN PART OR AS A WHOLE WITHOUT THE WRITTEN PERMISSION OF MP ANTENNA LTD IS PROHIBITED.	DESCRIPTION: 4.9-6 GHz Bi-Directional Antenna	PART NO. 08-ANT-1041-WH-2X-M	
		NAME				DATE
	DRAWN	BM				11/26/18



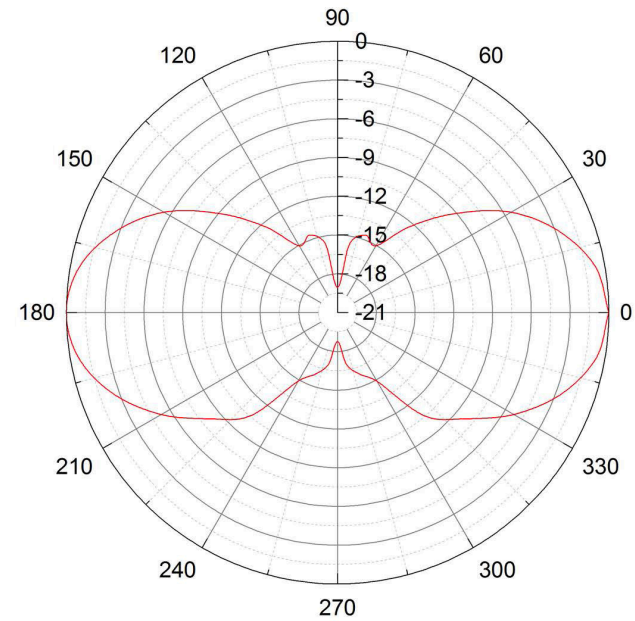
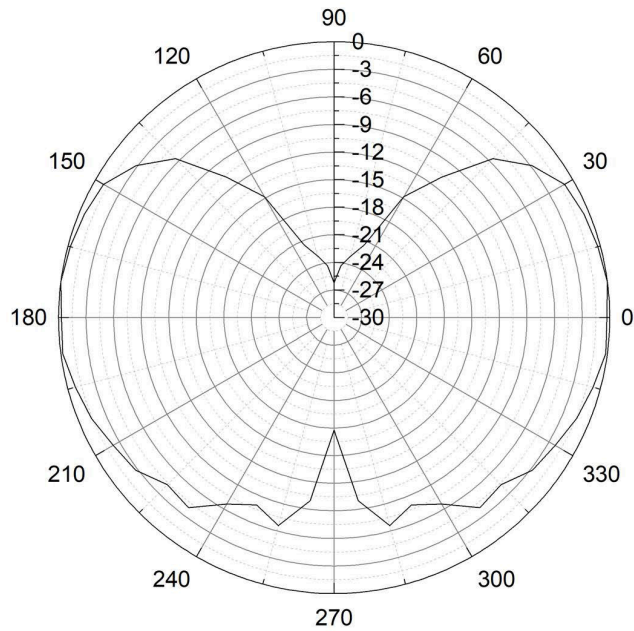
MP Antenna, LTD.
147 Eady Court
Elyria, Ohio 44035

440.387.5968 phone
440.545.3500 fax
www.mpantenna.com
sales@mpantenna.com

Part Number: 08-ANT-1041

model number: 08-ANT-1041
product description: 4.9-6GHz Two Feed Bi-Directional Antenna

Frequency: 4.9GHz
Max Gain: 10dBi





MP Antenna, LTD.
147 Eady Court
Elyria, Ohio 44035

440.387.5968 phone
440.545.3500 fax
www.mpantenna.com
sales@mpantenna.com

Part Number: 08-ANT-1041

model number: 08-ANT-1041
product description: 4.9-6GHz Two Feed Bi-Directional Antenna

Frequency: 5.75GHz
Max Gain: 8dBi

