



MP Antenna, LTD.
147 Eady Court
Elyria, Ohio 44035

440.387.5968 phone
440.545.3500 fax
www.mpantenna.com
sales@mpantenna.com

Part Number: 08-ANT-0960

model number: 08-ANT-0960
product description: 3-4GHz Broadband Mobile Wireless Antenna

Electrical Data

frequency range: 3-4GHz	environmental cond.: Outdoor
gain: 6dBi	operation temperature: -40 to 85 deg C
vswr: <1.6:1	storage temperature: -40 to 85 deg C
horizontal pattern type: Omni Directional	transport temperature: -40 to 85 deg C
vertical patter type: Hemispheric	IP Rating: IP67
ground plane: Built In	RoHS - REACH Compliant
min ground plane : N/A	

Environmental Data

General Data

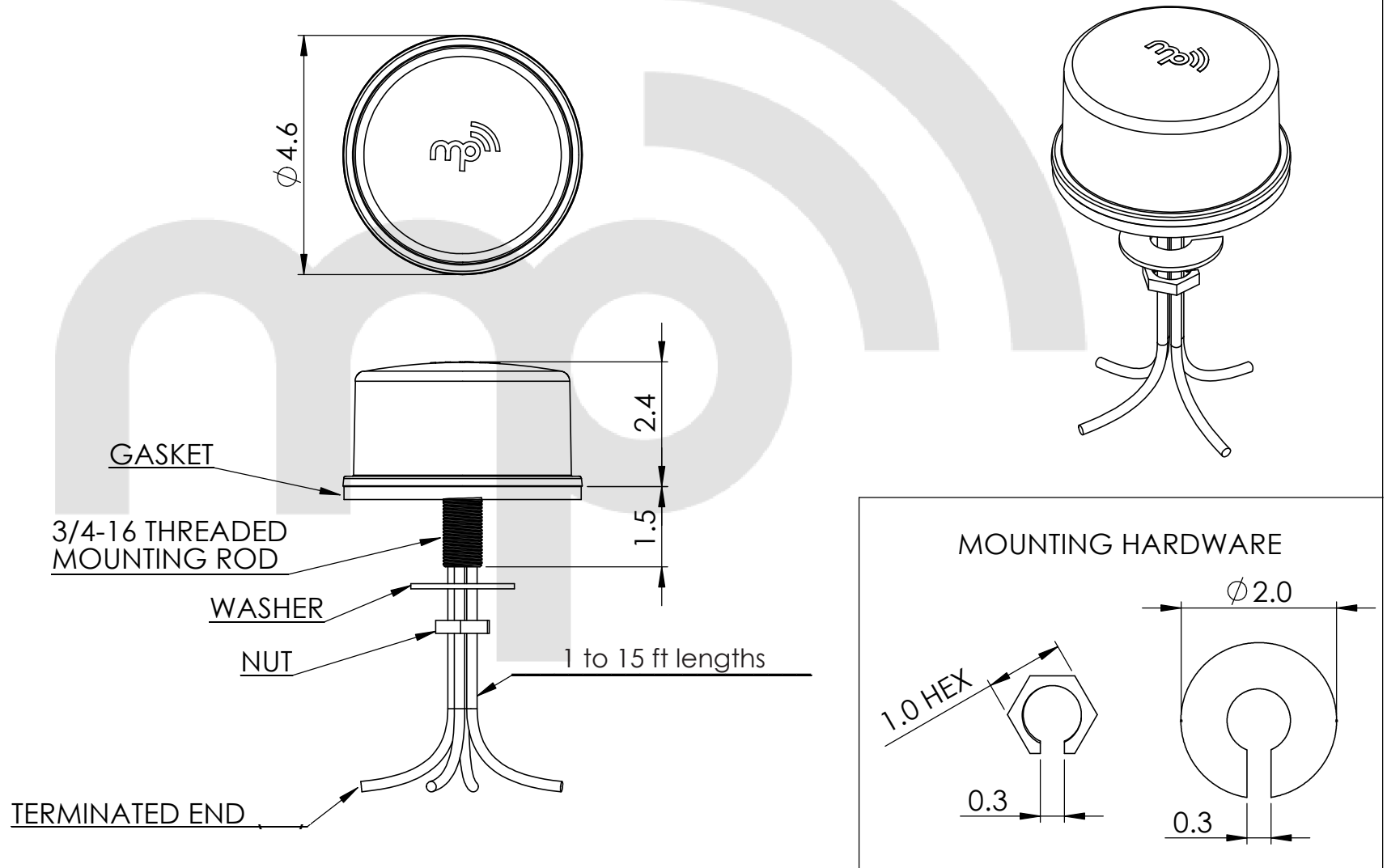
color: Black or White	length: 4.5 in
antenna feeds: Up to 4 Feeds	width: 4.5 in
coax length: Various	height: 2.5 in
coax type: Low Loss 200 Series	mounting type: Connector
connector type: Various	hardware included: Nut and Washer
polarization: Multi-Polarized	weight: 12 oz
power: 50 Watts Input	
impedance: 50 ohms Nominal	
construction: UV Stabilized ASA	

Mechanical Data

*** With built in spatial and polarization diversity, performance in obstructed environments is greater than that of standard antennas with similar or higher laboratory gains.**



FREQUENCY RANGE	CONNECTOR	MINIMUM MOUNTING HOLE DIAMETER	MAX MOUNTING HOLE DIAMETER	MAX MOUNTING SURFACE THICKNESS	COLOR	NUMBER OF FEEDS
3-4 GHz	Various (see chart)	see specific part number drawing	see specific part number drawing	see specific part number drawing	White or Black	1 to 4 leads



MP ANTENNA, LTD.
147 Eady Court
Elyria, OH 44035
www.mpantenna.com

THIRD ANGLE		DIMENSIONS ARE IN INCHES	
	NAME	DATE	
DRAWN	BM	12/29/14	

PROPRIETARY AND CONFIDENTIAL
THE INFORMATION CONTAINED IN THIS DRAWING IS THE SOLE PROPERTY OF MP ANTENNA, LTD. ANY REPRODUCTION IN PART OR AS A WHOLE WITHOUT THE WRITTEN PERMISSION OF MP ANTENNA LTD IS PROHIBITED.

π
3-4 GHz Outdoor Mobile Antenna

Model Number:
08-ANT-0960
Contact Sales for Part Number



MP Antenna, LTD.
147 Eady Court
Elyria, Ohio 44035

440.387.5968 phone
440.545.3500 fax
www.mpantenna.com
sales@mpantenna.com

Part Number: 08-ANT-0960

model number: 08-ANT-0960
product description: 3-4GHz Broadband Mobile Wireless Antenna

Frequency: 3.65GHz
Max Gain: 6dBi

