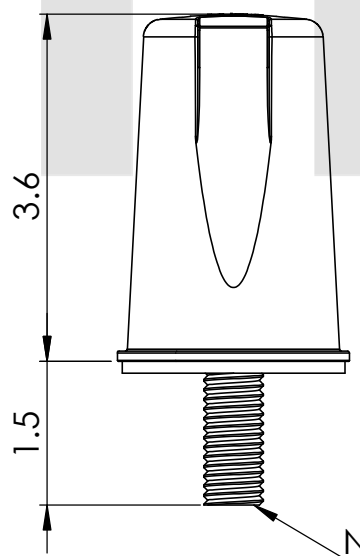
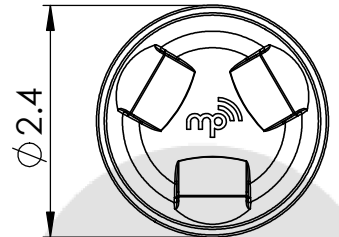
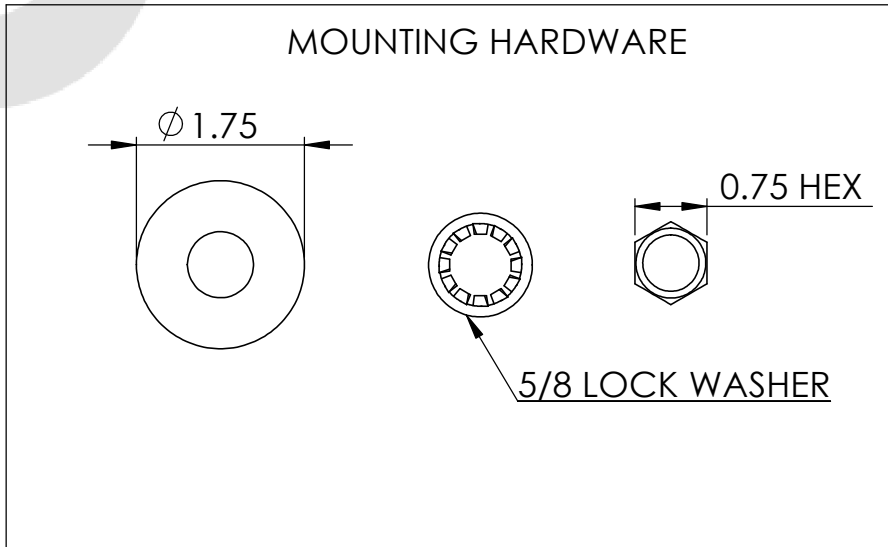


| FREQUENCY RANGE | MOUNTING HOLE DIAMETER | MAX MOUNTING SURFACE THICKNESS | COLOR |
|----------------------------------|-----------------------------------|--------------------------------|-------|
| 700 MHz - 3 GHz 4 GHz - 6 GHz | 0.65 INCHES MIN 1.0 INCHES MAX | 0.5 INCHES | WHITE |



N-FEMALE CONNECTOR



MP ANTENNA, LTD.
147 Eady Court
Elyria, OH 44035
www.mpantenna.com

| | | |
|-------------|--------------------------|--------|
| THIRD ANGLE | DIMENSIONS ARE IN INCHES | |
| | NAME | DATE |
| DRAWN | BM | 1/2/15 |

PROPRIETARY AND CONFIDENTIAL
THE INFORMATION CONTAINED IN THIS DRAWING IS THE SOLE PROPERTY OF MP ANTENNA, LTD. ANY REPRODUCTION IN PART OR AS A WHOLE WITHOUT THE WRITTEN PERMISSION OF MP ANTENNA LTD IS PROHIBITED.

DESCRIPTION:
700 MHz - 3 GHz
4 GHz - 6 GHz OMNI

PART NO.
08-ANT-0959-W