



MP Antenna, LTD.  
147 Eady Court  
Elyria, Ohio 44035

440.387.5968 phone  
440.545.3500 fax  
www.mpantenna.com  
sales@mpantenna.com

**Part Number: 08-ANT-0956-WH-M-1.5**

model number: 08-ANT-0956  
product description: Omni Antenna, 2.2GHz - 2.4GHz

**Electrical Data**

frequency range:	2.2-2.6 GHz	environmental cond.:	Outdoor
gain:	3 dBi	operation temperature:	-40 to 85
vswr:	<1.5:1	storage temperature:	-40 to 85
horizontal pattern type:	Omnidirectional	transport temperature:	-40 to 85
vertical patter type:	Full	IP Rating:	IP67
ground plane:	Built In	RoHS - REACH	Compliant
min ground plane:	N/A		

**Environmental Data**

**General Data**

color:	White	length:	1.0 in
antenna feeds:	One	width:	1.0 in
coax length:	N/A	height:	2.7 in
coax type:	N/A	mounting type:	Surface
connector type:	1.5 in N-Female	hardware included:	Nut and Washer
polarization:	Multi-Polarized	weight:	2.0 oz
power:	50 Watts Input		
impedance:	50 ohms nominal		
construction:	UV Stabilized ASA		

**Mechanical Data**

**\* With built in spatial and polarization diversity, performance in obstructed environments is greater than that of standard antennas with similar or higher laboratory gains.**

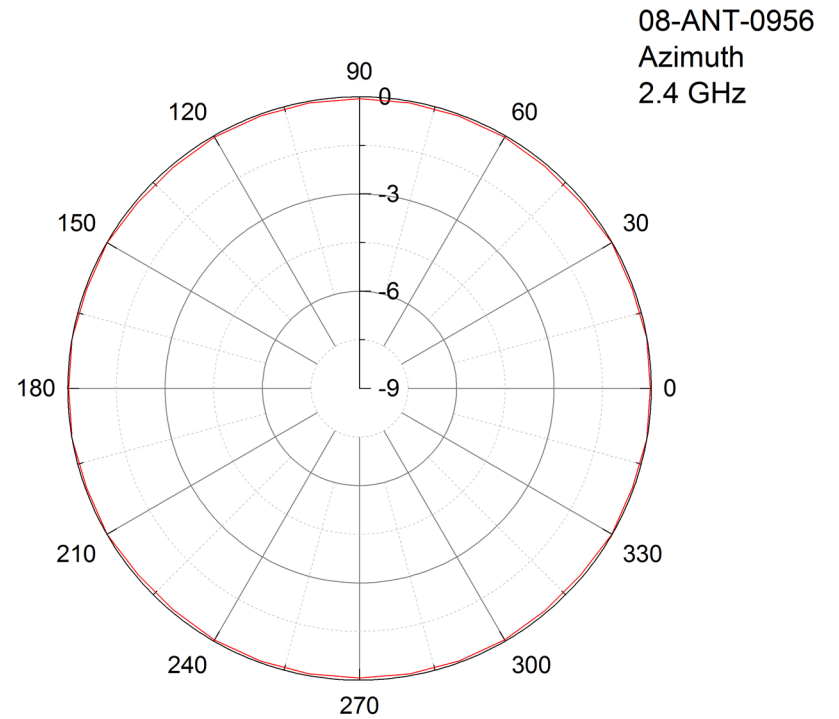
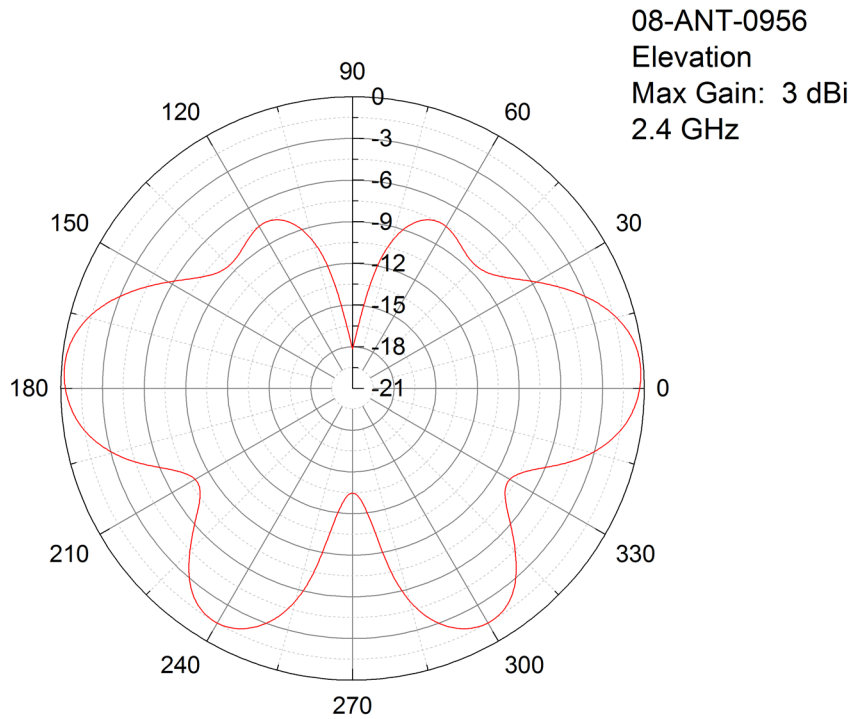




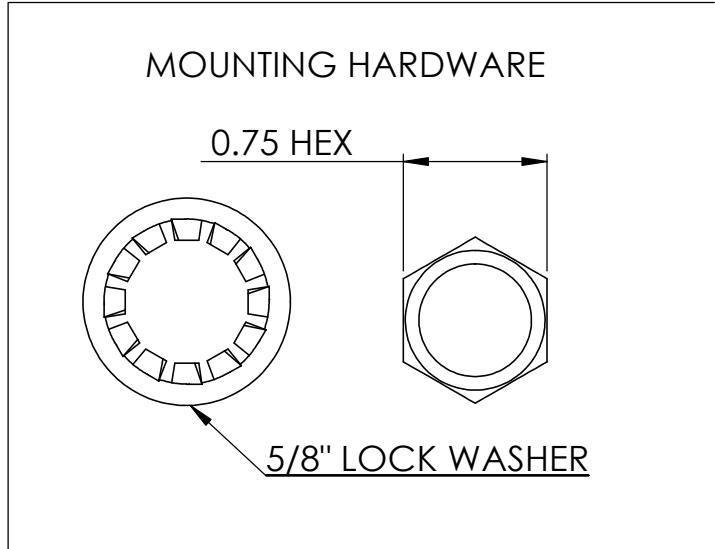
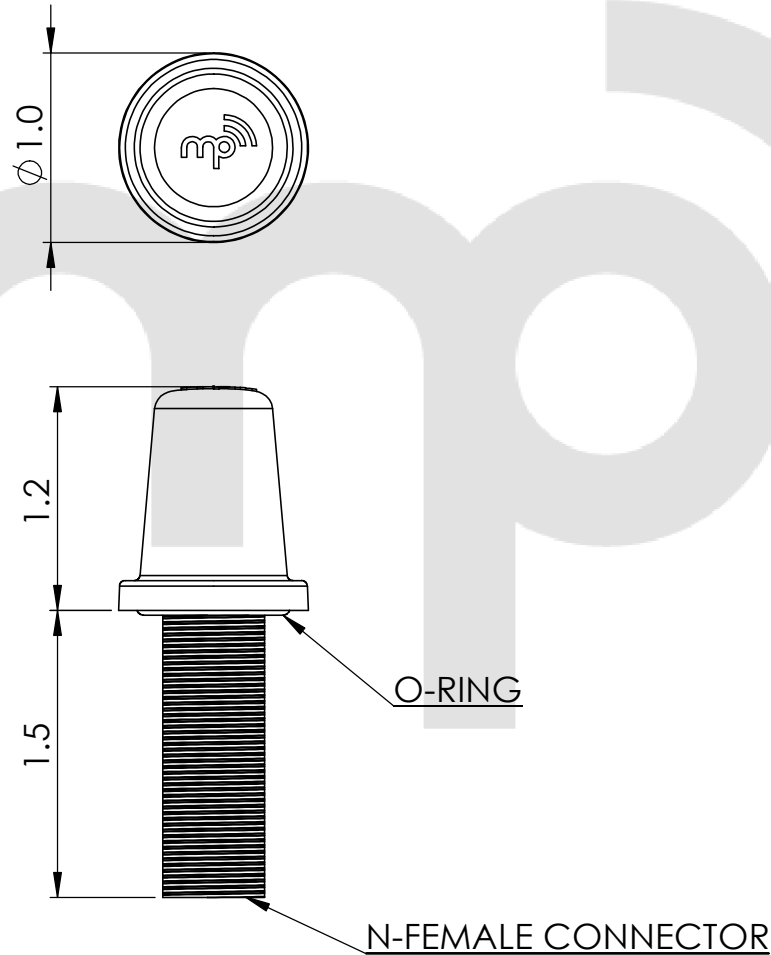
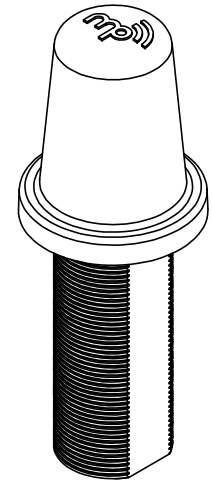
**MP Antenna, LTD.**  
147 Eady Court  
Elyria, Ohio 44035

440.387.5968 phone  
440.545.3500 fax  
www.mpantenna.com  
sales@mpantenna.com

**Model Number:** 08-ANT-0956  
**description:** 2.4GHz Micro Omni Antenna



FREQUENCY	MOUNTING HOLE DIAMETER	MAX MOUNTING SURFACE THICKNESS	COLOR
2.2-2.6 GHz	0.65 INCHES	0.9 INCHES	WHITE



MP ANTENNA, LTD.  
 147 Eady Court  
 Elyria, OH 44035  
 www.mpantenna.com

THIRD ANGLE	DIMENSIONS ARE IN INCHES	
	NAME	DATE
DRAWN	BM	1/7/15

**PROPRIETARY AND CONFIDENTIAL**  
 THE INFORMATION CONTAINED IN THIS DRAWING IS THE SOLE PROPERTY OF MP ANTENNA, LTD. ANY REPRODUCTION IN PART OR AS A WHOLE WITHOUT THE WRITTEN PERMISSION OF MP ANTENNA LTD IS PROHIBITED.

DESCRIPTION:  
 2.2-2.6 GHz Micro Omni

PART NO.  
 08-ANT-0956-WH-M-1.5