



MP Antenna, LTD.
147 Eady Court
Elyria, Ohio 44035

440.387.5968 phone
440.545.3500 fax
www.mpantenna.com
sales@mpantenna.com

Part Number: 08-ANT-0956-WH-M-1.0

model number: 08-ANT-0956
product description: Omni Antenna, 2.2GHz - 2.4GHz

Electrical Data

frequency range:	2.2-2.6 GHz
gain:	3 dBi
vswr:	<1.5:1
horizontal pattern type:	Omnidirectional
vertical patter type:	Full
ground plane:	Built In
min ground plane:	N/A

Environmental Data

environmental cond.:	Outdoor
operation temperature:	-40 to 85
storage temperature:	-40 to 85
transport temperature:	-40 to 85
IP Rating:	IP67
RoHS - REACH	Compliant

General Data

color:	White
antenna feeds:	One
coax length:	N/A
coax type:	N/A
connector type:	1 in N-Female
polarization:	Multi-Polarized
power:	50 Watts Input
impedance:	50 ohms nominal
construction:	UV Stabilized ASA

Mechanical Data

length:	1.0 in
width:	1.0 in
height:	2.2 in
mounting type:	Surface
hardware included:	Nut and Washer
weight:	1.5 oz

*** With built in spatial and polarization diversity, performance in obstructed environments is greater than that of standard antennas with similar or higher laboratory gains.**

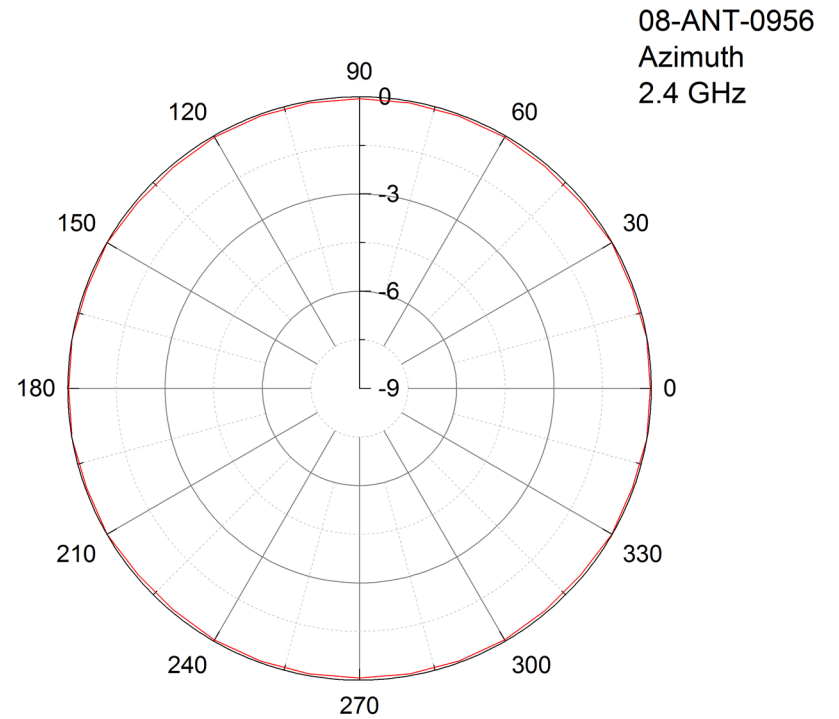
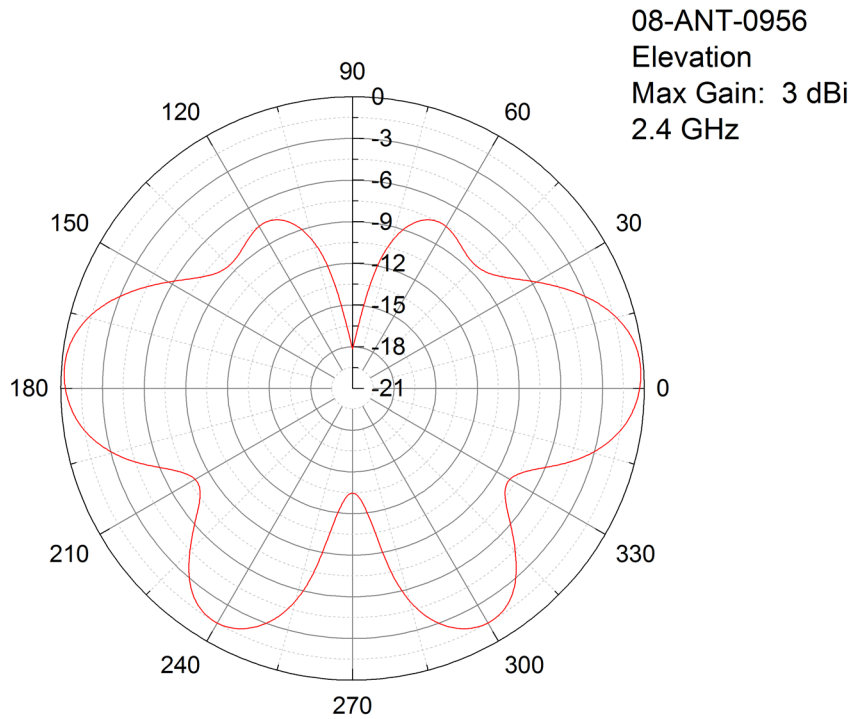




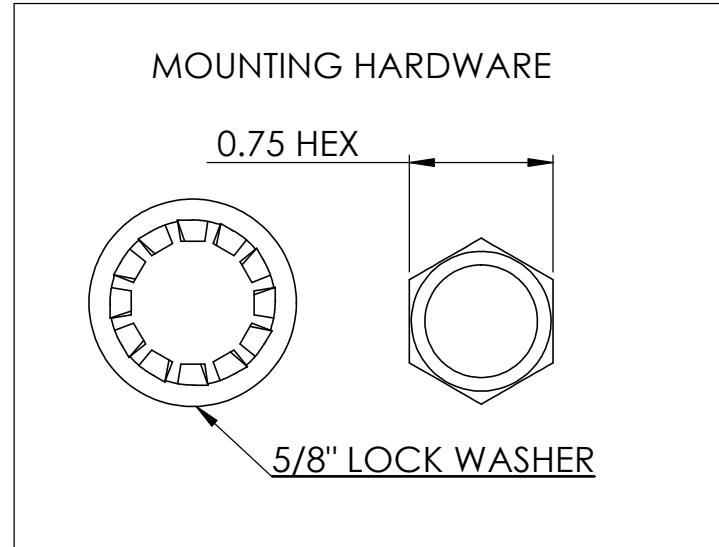
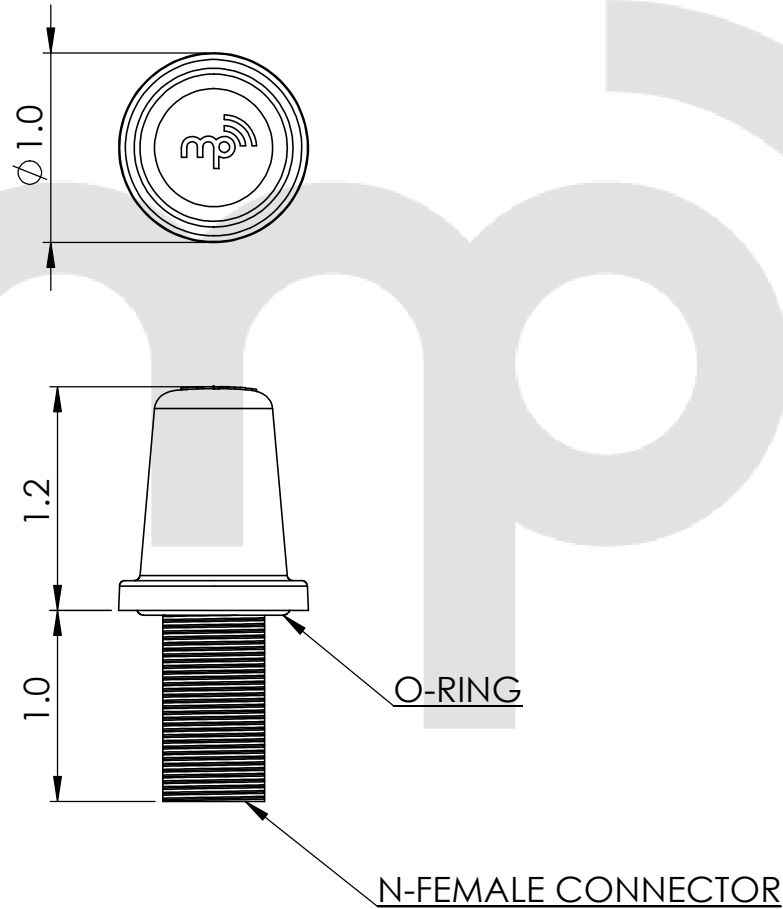
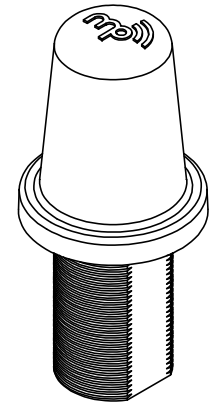
MP Antenna, LTD.
147 Eady Court
Elyria, Ohio 44035

440.387.5968 phone
440.545.3500 fax
www.mpantenna.com
sales@mpantenna.com

Model Number: 08-ANT-0956
description: 2.4GHz Micro Omni Antenna



FREQUENCY	MOUNTING HOLE DIAMETER	MAX MOUNTING SURFACE THICKNESS	COLOR
2.2-2.6 GHz	0.65 INCHES	0.4 INCHES	WHITE



MP ANTENNA, LTD.
 147 Eady Court
 Elyria, OH 44035
 www.mpantenna.com

THIRD ANGLE	DIMENSIONS ARE IN INCHES	
	NAME	DATE
DRAWN	BM	1/7/15

PROPRIETARY AND CONFIDENTIAL
 THE INFORMATION CONTAINED IN THIS DRAWING IS THE SOLE PROPERTY OF MP ANTENNA, LTD. ANY REPRODUCTION IN PART OR AS A WHOLE WITHOUT THE WRITTEN PERMISSION OF MP ANTENNA LTD IS PROHIBITED.

DESCRIPTION:
 2.2-2.6 GHz Micro Omni

PART NO.
 08-ANT-0956-WH-M-1.0