



MP Antenna, LTD.
147 Eady Court
Elyria, Ohio 44035

440.387.5968 phone
440.545.3500 fax
www.mpantenna.com
sales@mpantenna.com

Part Number: 08-ANT-0956-WH-G

model number: 08-ANT-0956
product description: Omni Antenna, 2.2GHz - 2.4GHz

Electrical Data

frequency range: 2.2-2.6 GHz	environmental cond.: Outdoor
gain: 3 dBi	operation temperature: -40 to 85
vswr: <1.5:1	storage temperature: -40 to 85
horizontal pattern type: Omnidirectional	transport temperature: -40 to 85
vertical patter type: Full	IP Rating: IP67
ground plane: Built In	RoHS - REACH Compliant
min ground plane: N/A	

Environmental Data

General Data

color: White	length: 1.0 in
antenna feeds: One	width: 1.0 in
coax length: N/A	height: 1.9 in
coax type: N/A	mounting type: Connector
connector type: N-Male	hardware included: N/A
polarization: Multi-Polarized	weight: 1.4 oz
power: 50 Watts Input	
impedance: 50 ohms nominal	
construction: UV Stabilized ASA	

Mechanical Data

*** With built in spatial and polarization diversity, performance in obstructed environments is greater than that of standard antennas with similar or higher laboratory gains.**

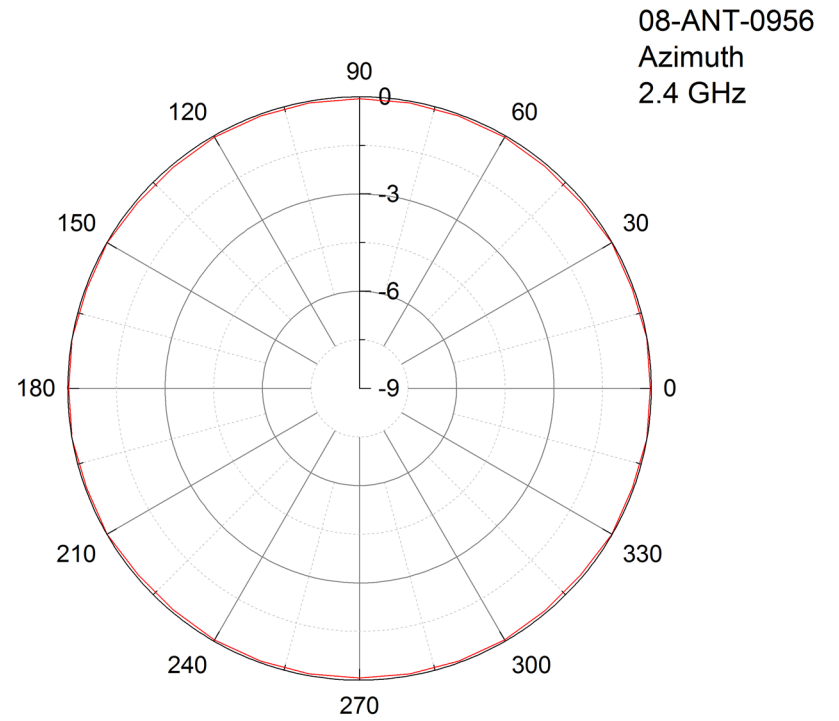
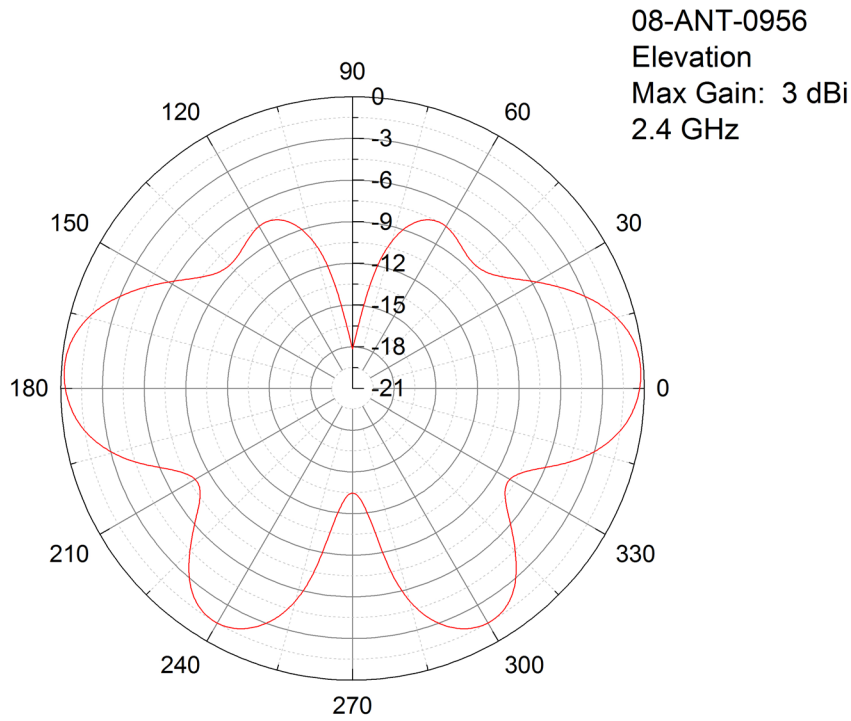




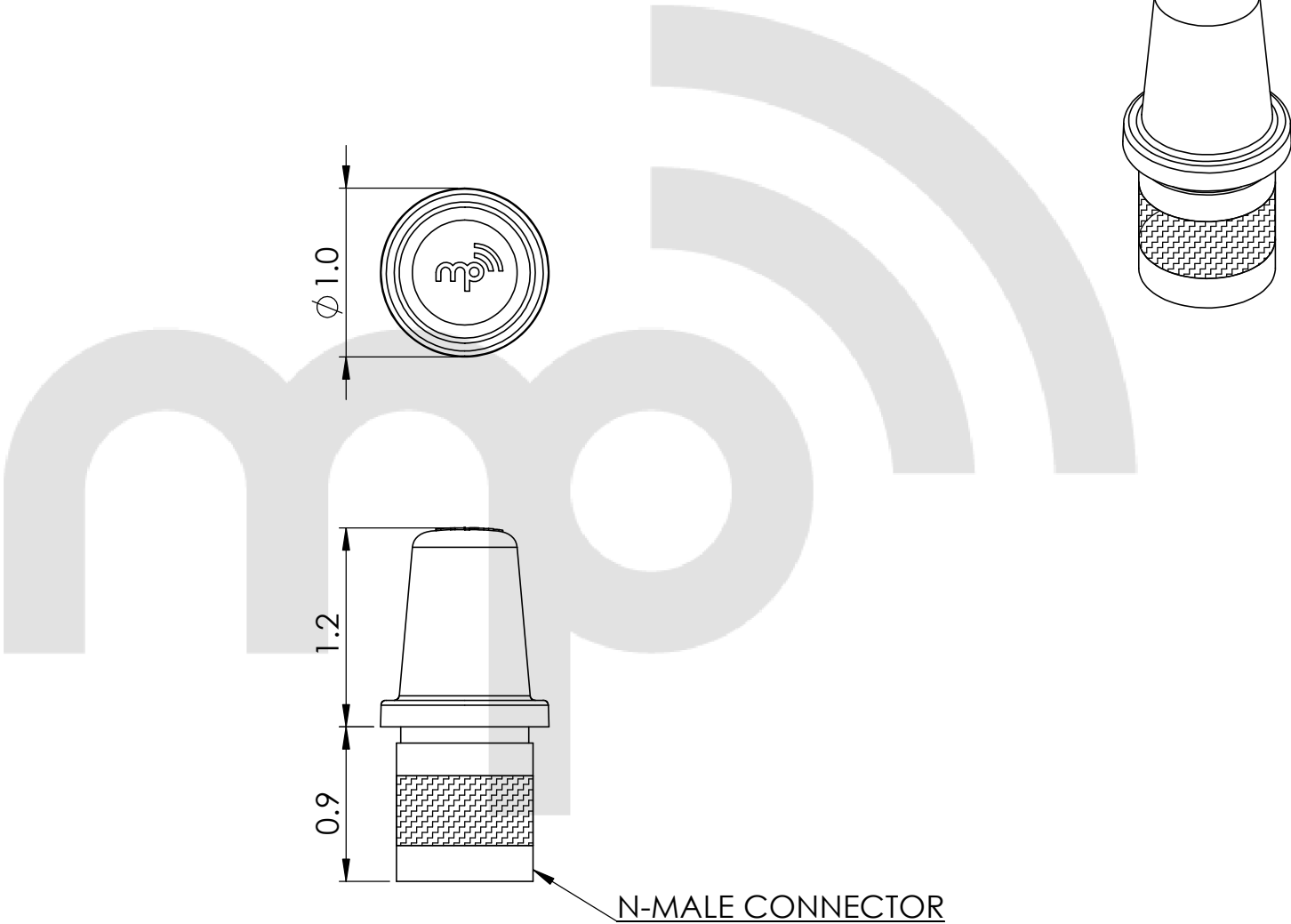
MP Antenna, LTD.
147 Eady Court
Elyria, Ohio 44035

440.387.5968 phone
440.545.3500 fax
www.mpantenna.com
sales@mpantenna.com

Model Number: 08-ANT-0956
description: 2.4GHz Micro Omni Antenna



FREQUENCY RANGE	COLOR
2.2-2.6 GHz	WHITE



MP ANTENNA, LTD.
 147 Eady Court
 Elyria, OH 44035
 www.mpantenna.com

THIRD ANGLE	DIMENSIONS ARE IN INCHES	
	NAME	DATE
DRAWN	BM	1/12/15

PROPRIETARY AND CONFIDENTIAL
 THE INFORMATION CONTAINED IN THIS DRAWING IS THE SOLE PROPERTY OF MP ANTENNA, LTD. ANY REPRODUCTION IN PART OR AS A WHOLE WITHOUT THE WRITTEN PERMISSION OF MP ANTENNA LTD IS PROHIBITED.

DESCRIPTION:
 2.2-2.6 GHz Micro Omni

PART NO.
 08-ANT-0956-WH-G