



MP Antenna, LTD.
147 Eady Court
Elyria, Ohio 44035

440.387.5968 phone
440.545.3500 fax
www.mpantenna.com
sales@mpantenna.com

Part Number: 08-ANT-0956-WH-D

model number: 08-ANT-0956
product description: Omni Antenna, 2.2GHz - 2.4GHz

Electrical Data

| | |
|--|----------------------------------|
| frequency range: 2.2-2.6 GHz | environmental cond.: Outdoor |
| gain: 3 dBi | operation temperature: -40 to 85 |
| vswr: <1.5:1 | storage temperature: -40 to 85 |
| horizontal pattern type: Omnidirectional | transport temperature: -40 to 85 |
| vertical patter type: Full | IP Rating: IP67 |
| ground plane: Built In | RoHS - REACH Compliant |
| min ground plane: N/A | |

Environmental Data

General Data

| | |
|---------------------------------|--------------------------|
| color: White | length: 1.0 in |
| antenna feeds: One | width: 1.0 in |
| coax length: N/A | height: 1.9 in |
| coax type: N/A | mounting type: Connector |
| connector type: RPTNC Male | hardware included: N/A |
| polarization: Multi-Polarized | weight: 1.1 oz |
| power: 50 Watts Input | |
| impedance: 50 ohms nominal | |
| construction: UV Stabilized ASA | |

Mechanical Data

*** With built in spatial and polarization diversity, performance in obstructed environments is greater than that of standard antennas with similar or higher laboratory gains.**

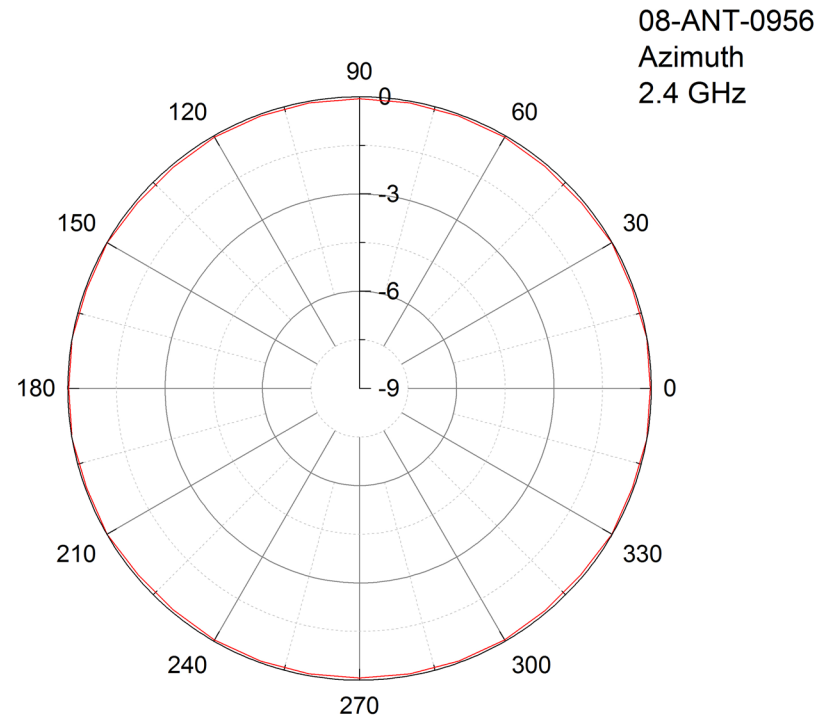
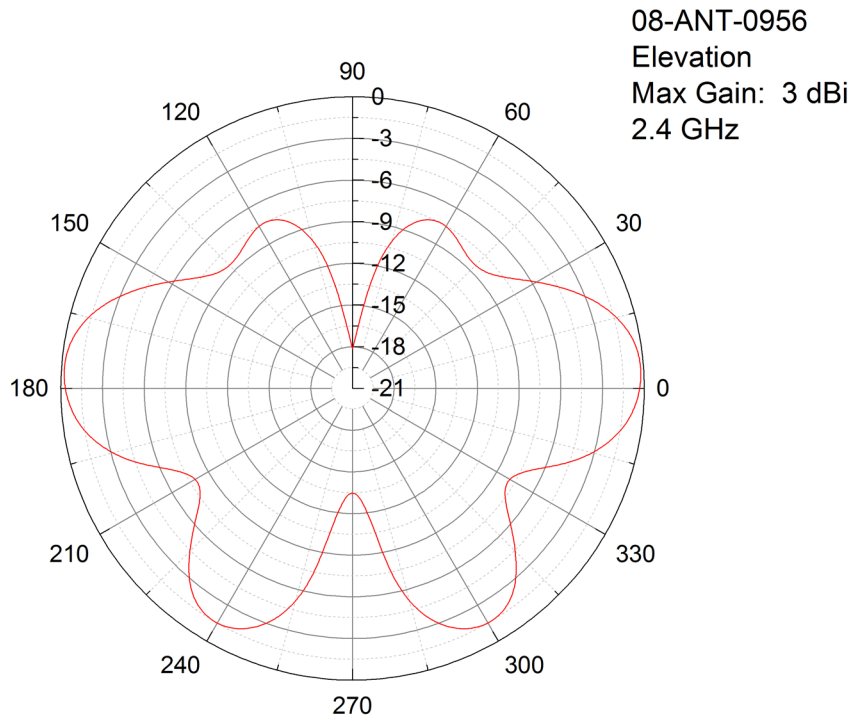




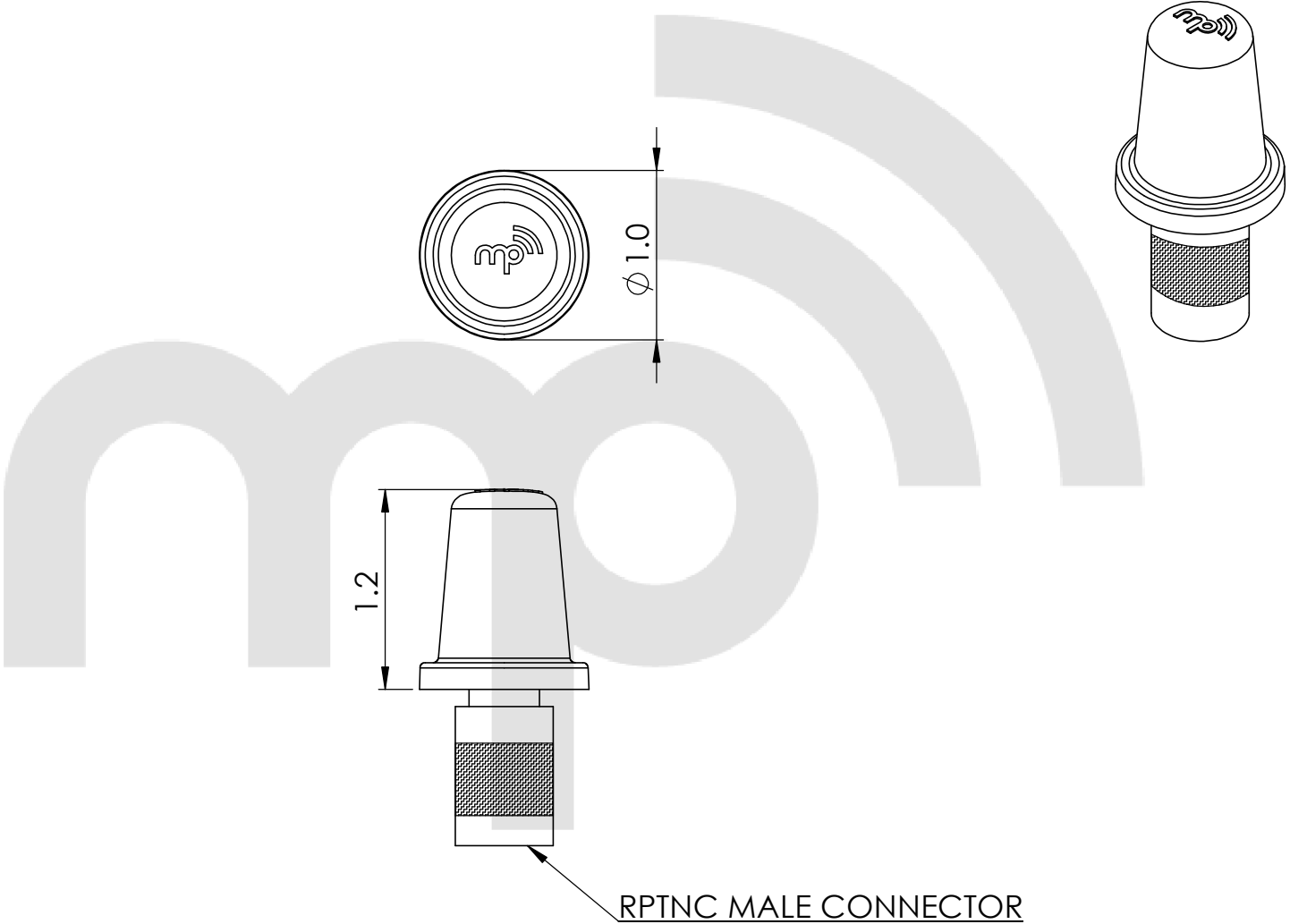
MP Antenna, LTD.
147 Eady Court
Elyria, Ohio 44035

440.387.5968 phone
440.545.3500 fax
www.mpantenna.com
sales@mpantenna.com

Model Number: 08-ANT-0956
description: 2.4GHz Micro Omni Antenna



| | |
|-------------|-------|
| FREQUENCY | COLOR |
| 2.2-2.6 GHz | WHITE |



MP ANTENNA, LTD.
 147 Eady Court
 Elyria, OH 44035
 www.mpantenna.com

| | | |
|-------------|--------------------------|---------|
| THIRD ANGLE | DIMENSIONS ARE IN INCHES | |
| | NAME | DATE |
| DRAWN | BM | 2/17/15 |

PROPRIETARY AND CONFIDENTIAL
 THE INFORMATION CONTAINED IN THIS DRAWING IS THE SOLE PROPERTY OF MP ANTENNA, LTD. ANY REPRODUCTION IN PART OR AS A WHOLE WITHOUT THE WRITTEN PERMISSION OF MP ANTENNA LTD IS PROHIBITED.

DESCRIPTION:
 2.2-2.6 GHz Micro Omni

PART NO.
 08-ANT-0956-WH-D