



MP Antenna, LTD.  
147 Eady Court  
Elyria, Ohio 44035

440.387.5968 phone  
440.545.3500 fax  
www.mpantenna.com  
sales@mpantenna.com

**Part Number: 08-ANT-0956-BL-E**

model number: 08-ANT-0956  
product description: Omni Antenna, 2.2GHz - 2.4GHz

**Electrical Data**

frequency range: 2.2-2.6 GHz	environmental cond.: Outdoor
gain: 3 dBi	operation temperature: -40 to 85
vswr: <1.5:1	storage temperature: -40 to 85
horizontal pattern type: Omnidirectional	transport temperature: -40 to 85
vertical patter type: Full	IP Rating: IP67
ground plane: Built In	RoHS - REACH Compliant
min ground plane: N/A	

**Environmental Data**

**General Data**

color: Black	length: 1.0 in
antenna feeds: One	width: 1.0 in
coax length: N/A	height: 1.9 in
coax type: N/A	mounting type: Connector
connector type: TNC Male	hardware included: N/A
polarization: Multi-Polarized	weight: 1.1 oz
power: 50 Watts Input	
impedance: 50 ohms nominal	
construction: UV Stabilized ASA	

**Mechanical Data**

**\* With built in spatial and polarization diversity, performance in obstructed environments is greater than that of standard antennas with similar or higher laboratory gains.**

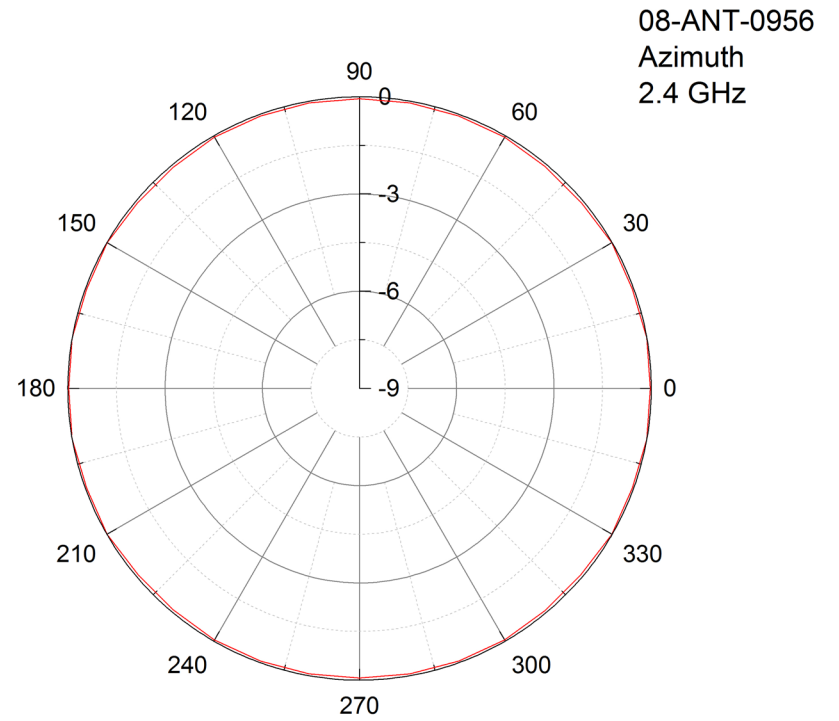
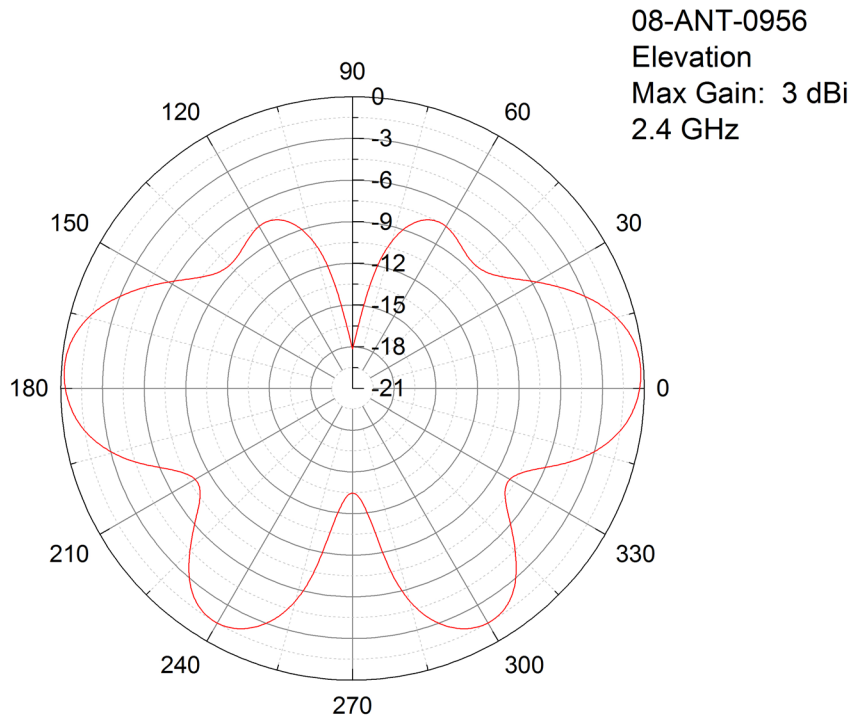




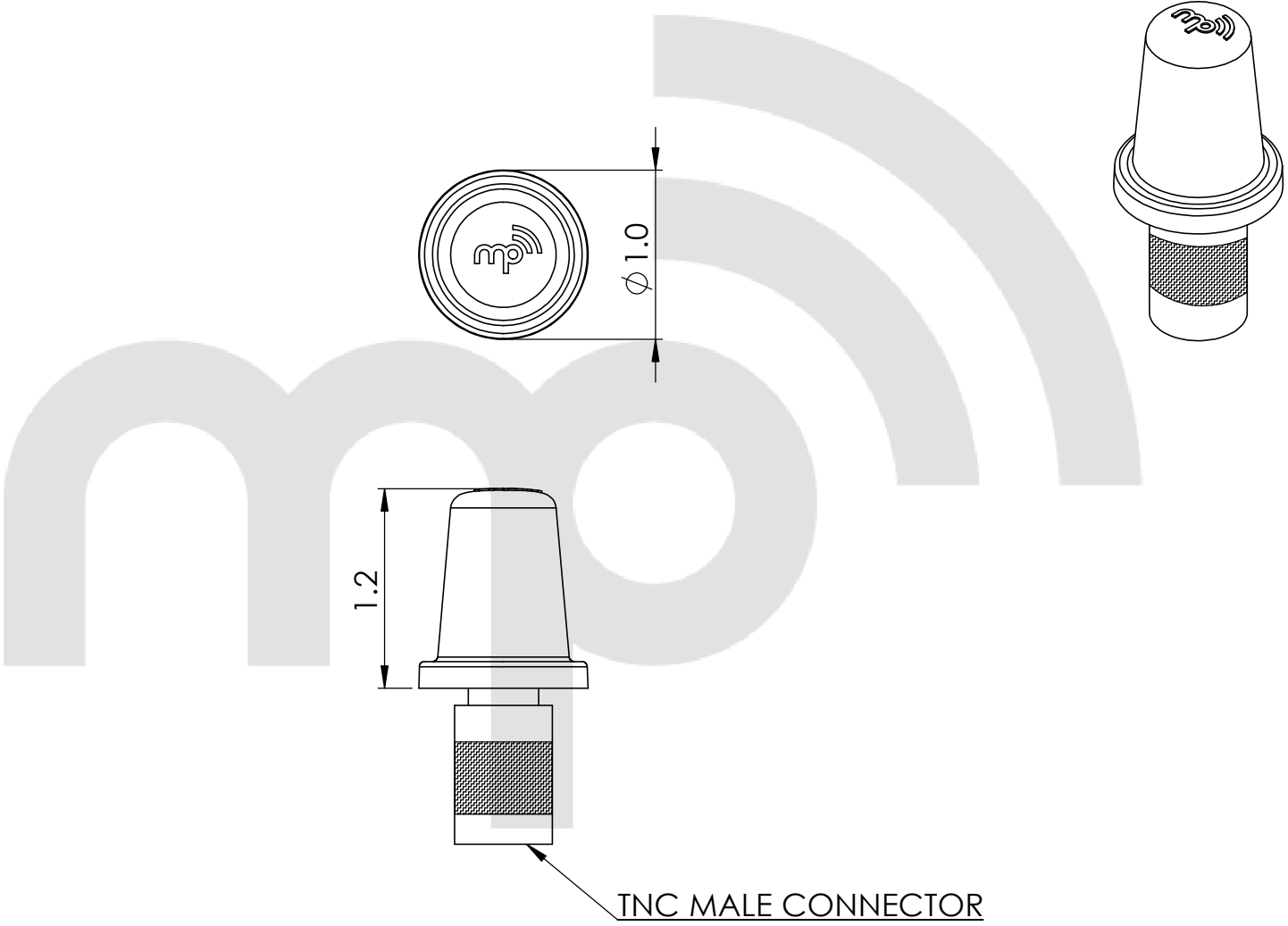
**MP Antenna, LTD.**  
147 Eady Court  
Elyria, Ohio 44035

440.387.5968 phone  
440.545.3500 fax  
www.mpantenna.com  
sales@mpantenna.com

**Model Number:** 08-ANT-0956  
**description:** 2.4GHz Micro Omni Antenna



FREQUENCY	COLOR
2.2-2.6 GHz	BLACK



MP ANTENNA, LTD.  
 147 Eady Court  
 Elyria, OH 44035  
 www.mpantenna.com

THIRD ANGLE	DIMENSIONS ARE IN INCHES	
	NAME	DATE
DRAWN	BM	3/30/15

**PROPRIETARY AND CONFIDENTIAL**  
 THE INFORMATION CONTAINED IN THIS DRAWING IS THE SOLE PROPERTY OF MP ANTENNA, LTD. ANY REPRODUCTION IN PART OR AS A WHOLE WITHOUT THE WRITTEN PERMISSION OF MP ANTENNA LTD IS PROHIBITED.

DESCRIPTION:  
 2.4 GHz MICRO OMNI  
 TNC MALE

PART NO.  
 08-ANT-0956-BL-E