



MP Antenna, LTD.
147 Eady Court
Elyria, Ohio 44035

440.387.5968 phone
440.545.3500 fax
www.mpantenna.com
sales@mpantenna.com

Part Number: 08-ANT-0956-BL-C

model number: 08-ANT-0956
product description: Omni Antenna, 2.2GHz - 2.4GHz

Electrical Data

frequency range: 2.2-2.6 GHz	environmental cond.: Outdoor
gain: 3 dBi	operation temperature: -40 to 85
vswr: <1.5:1	storage temperature: -40 to 85
horizontal pattern type: Omnidirectional	transport temperature: -40 to 85
vertical patter type: Full	IP Rating: IP67
ground plane: Built In	RoHS - REACH Compliant
min ground plane: N/A	

Environmental Data

General Data

color: Black
antenna feeds: One
coax length: N/A
coax type: N/A
connector type: SMA Female
polarization: Multi-Polarized
power: 50 Watts Input
impedance: 50 ohms nominal
construction: UV Stabilized ASA

Mechanical Data

length: 1.0 in
width: 1.0 in
height: 1.7 in
mounting type: Surface
hardware included: Nut and Washer
weight: 0.6 oz

*** With built in spatial and polarization diversity, performance in obstructed environments is greater than that of standard antennas with similar or higher laboratory gains.**

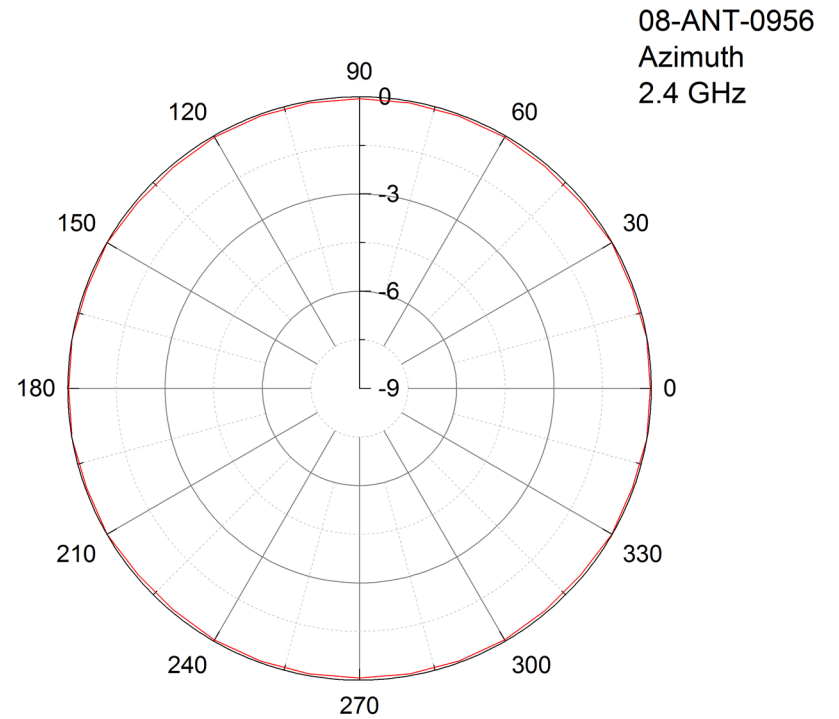
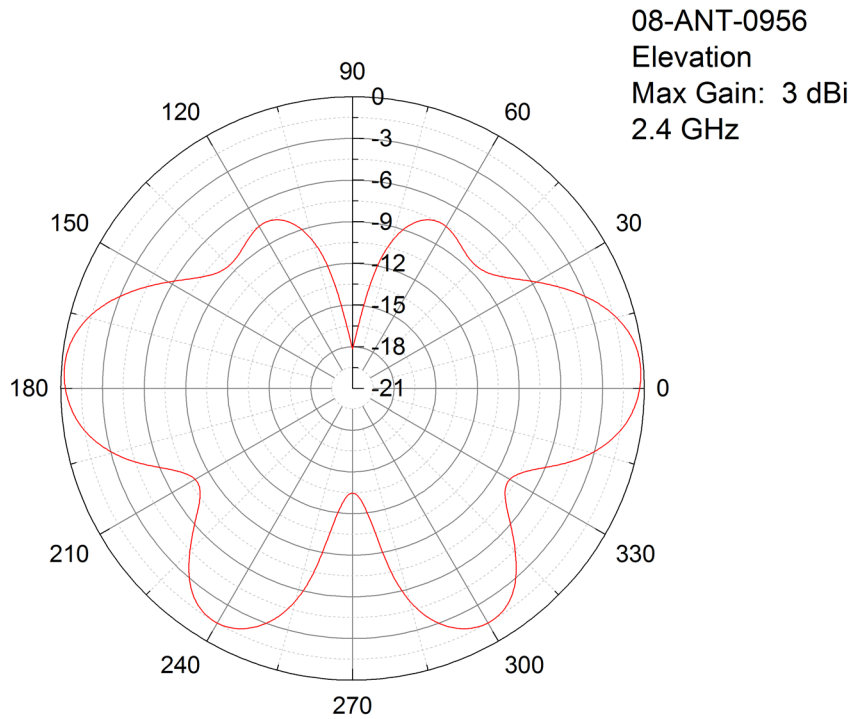




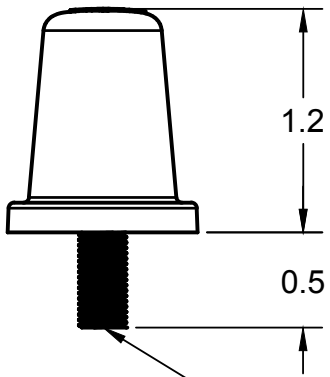
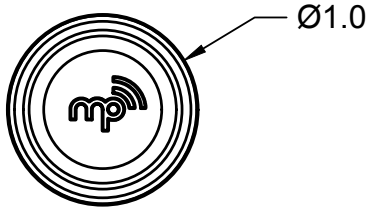
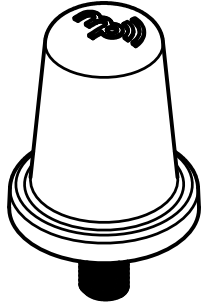
MP Antenna, LTD.
147 Eady Court
Elyria, Ohio 44035

440.387.5968 phone
440.545.3500 fax
www.mpantenna.com
sales@mpantenna.com

Model Number: 08-ANT-0956
description: 2.4GHz Micro Omni Antenna




FREQUENCY RANGE	COLOR	CONNECTOR TYPE	MAX MOUNTING SURFACE THICKNESS
2.2-2.6 GHz	BLACK	SMA FEMALE	0.10 INCHES



SMA FEMALE CONNECTOR

- NOTES:
1. MOUNTING NUT, LOCKWASHER, AND WASHER INCLUDED
 2. MUST BE MOUNTED ON NON-METAL SURFACE

MP ANTENNA, LTD. 147 Eady Court Elyria, Ohio 44035 www.mpantenna.com	THIRD ANGLE  DIMENSIONS ARE IN INCHES		PROPRIETARY AND CONFIDENTIAL THE INFORMATION CONTAINED IN THIS DRAWING IS THE SOLE PROPERTY OF MP ANTENNA, LTD. ANY REPRODUCTION IN PART OR AS A WHOLE WITHOUT THE WRITTEN PERMISSION OF MP ANTENNA LTD IS PROHIBITED.	DESCRIPTION: 2.2-2.6 GHz MICRO OMNI	PART NO. 08-ANT-0956-BL-C	
		NAME				DATE
	DRAWN	BM				1/12/15