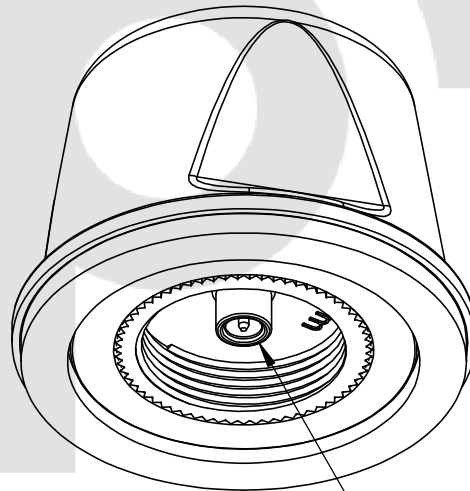
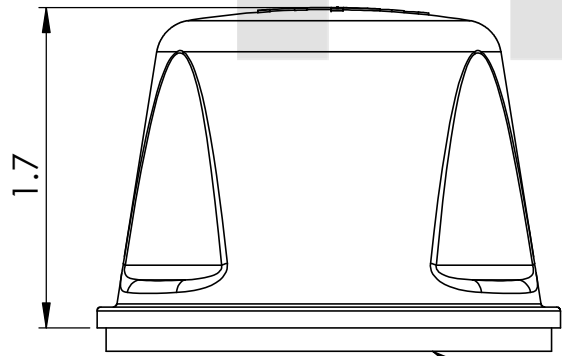
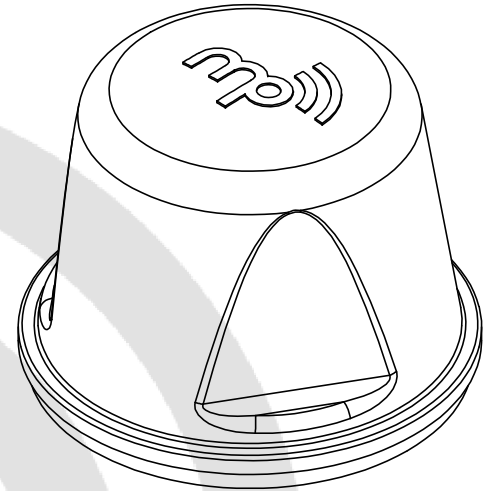
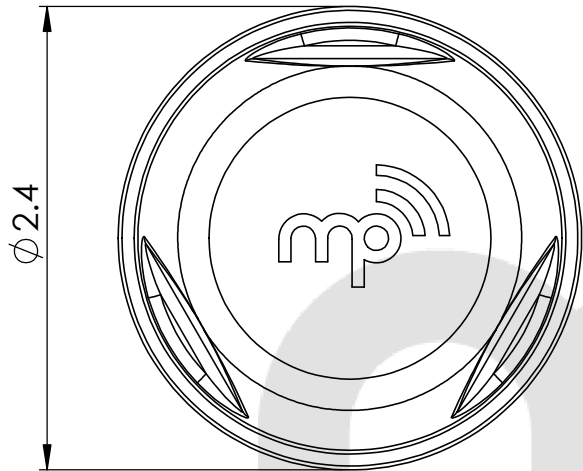



FREQUENCY RANGE	COLOR
5.15-5.99 GHz	BLACK



HIGH FREQUENCY PIN STYLE NMO MOUNT

GASKET

MP ANTENNA, LTD. 147 Eady Court Elyria, OH 44035 www.mpantenna.com	THIRD ANGLE  DIMENSIONS ARE IN INCHES	PROPRIETARY AND CONFIDENTIAL THE INFORMATION CONTAINED IN THIS DRAWING IS THE SOLE PROPERTY OF MP ANTENNA, LTD. ANY REPRODUCTION IN PART OR AS A WHOLE WITHOUT THE WRITTEN PERMISSION OF MP ANTENNA LTD IS PROHIBITED.	DESCRIPTION: 5 GHz OMNI NMO	PART NO. 08-ANT-0947						
	<table border="1"> <tr> <td></td> <td>NAME</td> <td>DATE</td> </tr> <tr> <td>DRAWN</td> <td>BM</td> <td>1/2/15</td> </tr> </table>					NAME	DATE	DRAWN	BM	1/2/15
					NAME	DATE				
DRAWN	BM	1/2/15								