



MP Antenna, LTD.
147 Eady Court
Elyria, Ohio 44035

440.387.5968 phone
440.545.3500 fax
www.mpantenna.com
sales@mpantenna.com

Part Number: 08-ANT-0942

model number: 08-ANT-0942
product description: 2-3GHz Indoor Broadband MIMO Wireless Antenna

Electrical Data

frequency range: 2-3GHz	environmental cond.: Indoor
gain: 4dBi	operation temperature: -40 to 85 deg C
vswr: <1.5:1	storage temperature: -40 to 85 deg C
horizontal pattern type: Omni Directional	transport temperature: -40 to 85 deg C
vertical patter type: Hemispheric	IP Rating: IP67
ground plane: Built In	RoHS - REACH Compliant
min ground plane : N/A	

Environmental Data

General Data

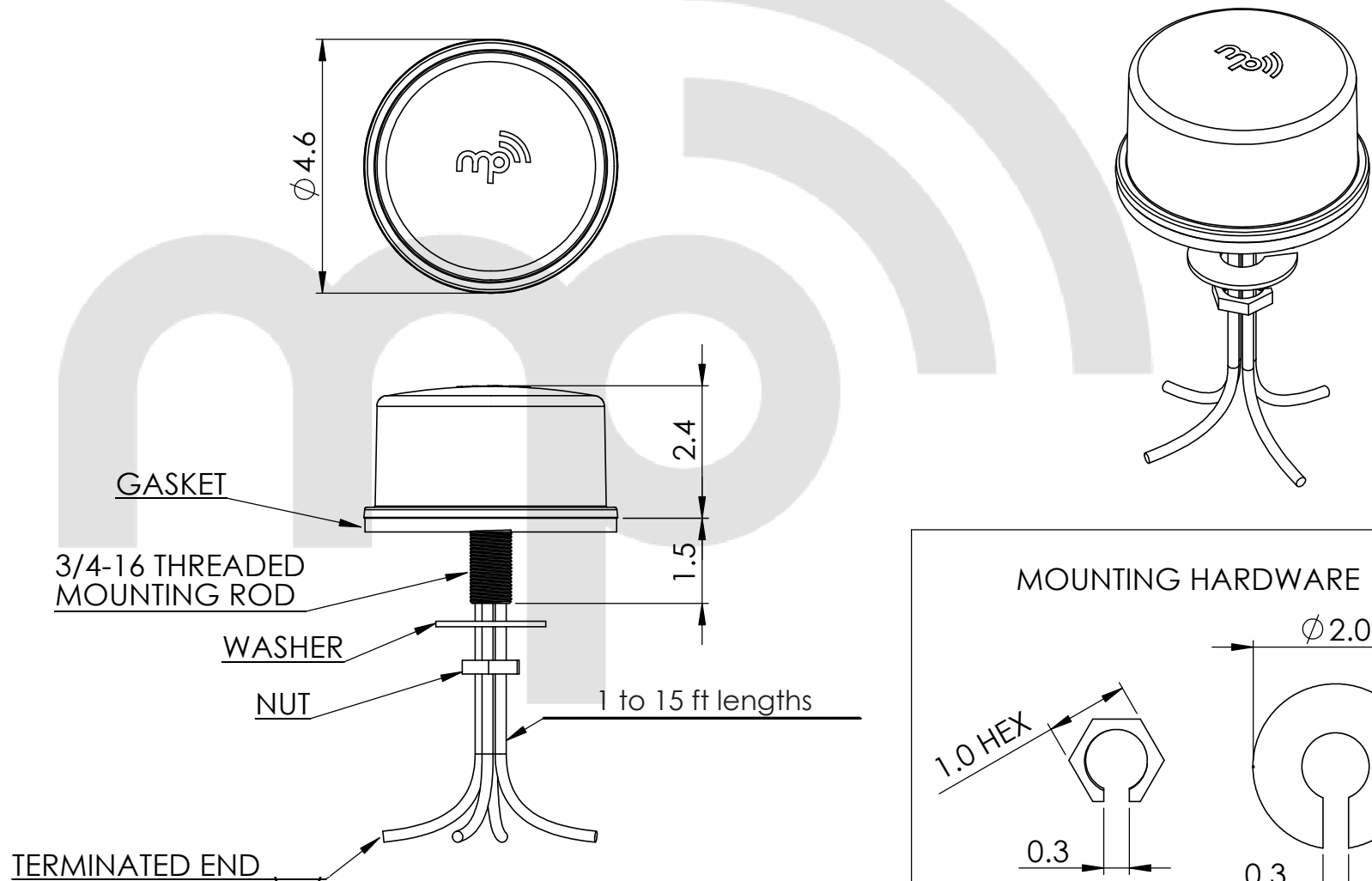
color: Black or White	length: 4.5 in
antenna feeds: Up to 4 Feeds	width: 4.5 in
coax length: Various	height: 2.5 in
coax type: Low Loss 200 Series	mounting type: Connector
connector type: Various	hardware included: Nut and Washer
polarization: Multi-Polarized	weight: 12 oz
power: 50 Watts Input	
impedance: 50 ohms Nominal	
construction: UV Stabilized ASA	

Mechanical Data

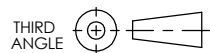
*** With built in spatial and polarization diversity, performance in obstructed environments is greater than that of standard antennas with similar or higher laboratory gains.**



FREQUENCY RANGE	CONNECTOR	MINIMUM MOUNTING HOLE DIAMETER	MAX MOUNTING HOLE DIAMETER	MAX MOUNTING SURFACE THICKNESS	COLOR	NUMBER OF FEEDS
2.4GHz	Various (see chart)	see specific part number drawing	see specific part number drawing	see specific part number drawing	White or Black	1 to 4 leads



MP ANTENNA, LTD.
147 Eady Court
Elyria, OH 44035
www.mpantenna.com



THIRD ANGLE

DIMENSIONS ARE IN INCHES

	NAME	DATE
DRAWN	BM	12/29/14

PROPRIETARY AND CONFIDENTIAL
THE INFORMATION CONTAINED IN THIS DRAWING IS THE SOLE PROPERTY OF MP ANTENNA, LTD. ANY REPRODUCTION IN PART OR AS A WHOLE WITHOUT THE WRITTEN PERMISSION OF MP ANTENNA LTD IS PROHIBITED.

DESCRIPTION:

2.4GHz Indoor Antenna

Model Number:

08-ANT-0942

Contact Sales for Part Number



MP Antenna, LTD.
147 Eady Court
Elyria, Ohio 44035

440.387.5968 phone
440.545.3500 fax
www.mpantenna.com
sales@mpantenna.com

Part Number: 08-ANT-0942

model number: 08-ANT-0942

product description: 2-3GHz Indoor Broadband MIMO Wireless Antenna

Frequency: 2.45GHz

Max Gain: 4dBi

