



MP Antenna, LTD.
147 Eady Court
Elyria, Ohio 44035

440.387.5968 phone
440.545.3500 fax
www.mpantenna.com
sales@mpantenna.com

Part Number: 08-ANT-0941

model number: 08-ANT-0941
product description: 4-6GHz Wideband Public Safety Antenna

Electrical Data

frequency range:	4-6GHz	environmental cond.:	Indoor
gain:	4dBi	operation temperature:	-40 to 85 deg C
vswr:	<1.5:1	storage temperature:	-40 to 85 deg C
horizontal pattern type:	Omni Directional	transport temperature:	-40 to 85 deg C
vertical patter type:	Hemispheric	IP Rating:	IP67
ground plane:	Built In	RoHS - REACH	Compliant
min ground plane :	N/A		

Environmental Data

General Data

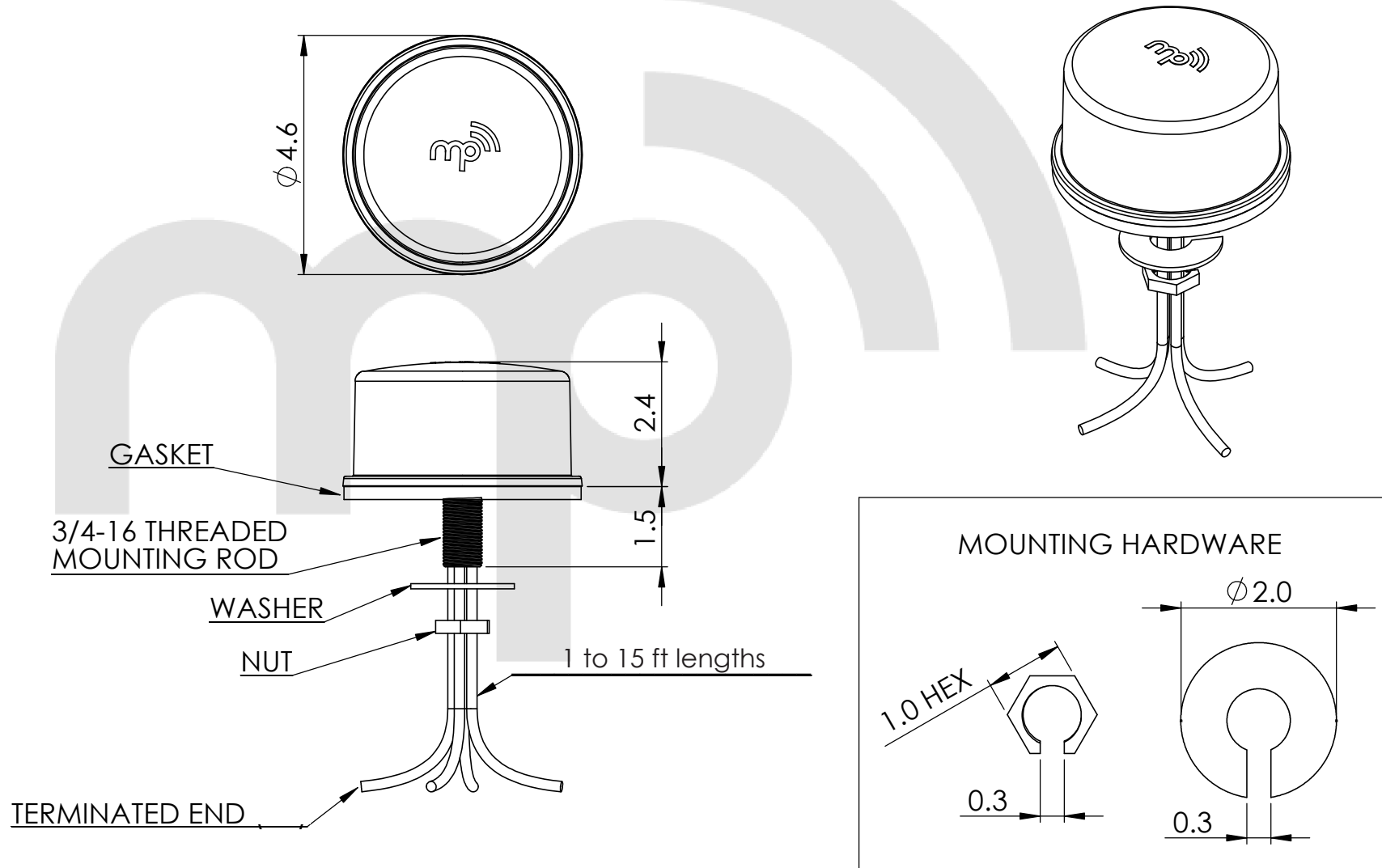
color:	Black or White	length:	4.5 in
antenna feeds:	Up to 6 Feeds	width:	4.5 in
coax length:	Various	height:	2.5 in
coax type:	Low Loss 200 Series	mounting type:	Connector
connector type:	Various	hardware included:	Nut and Washer
polarization:	Multi-Polarized	weight:	12 oz
power:	50 Watts Input		
impedance:	50 ohms Nominal		
construction:	UV Stabilized ASA		

Mechanical Data

*** With built in spatial and polarization diversity, performance in obstructed environments is greater than that of standard antennas with similar or higher laboratory gains.**



FREQUENCY RANGE	CONNECTOR	MINIMUM MOUNTING HOLE DIAMETER	MAX MOUNTING HOLE DIAMETER	MAX MOUNTING SURFACE THICKNESS	COLOR	NUMBER OF FEEDS
5GHz	Various (see chart)	see specific part number drawing	see specific part number drawing	see specific part number drawing	White or Black	1 to 4 leads



MP ANTENNA, LTD.
 147 Eady Court
 Elyria, OH 44035
 www.mpantenna.com

THIRD ANGLE		DIMENSIONS ARE IN INCHES	
	NAME	DATE	
DRAWN	BM	12/29/14	

PROPRIETARY AND CONFIDENTIAL
 THE INFORMATION CONTAINED IN THIS DRAWING IS THE SOLE PROPERTY OF MP ANTENNA, LTD. ANY REPRODUCTION IN PART OR AS A WHOLE WITHOUT THE WRITTEN PERMISSION OF MP ANTENNA LTD IS PROHIBITED.

DESCRIPTION:
 5GHz Indoor Antenna

Model Number:
 08-ANT-0941
 Contact Sales for Part Number



MP Antenna, LTD. 440.387.5968 phone
147 Eady Court 440.545.3500 fax
Elyria, Ohio 44035 www.mpantenna.com
sales@mpantenna.com

Part Number: 08-ANT-0941

model number: 08-ANT-0941
product description: 4-6GHz Wideband Public Safety Antenna

Frequency: 4.9GHz
Max Gain: 4dBi

