



MP Antenna, LTD.
 147 Eady Court
 Elyria, Ohio 44035

440.387.5968 phone
 440.545.3500 fax
www.mpantenna.com
sales@mpantenna.com

Part Number: 08-ANT-0938

model number: 08-ANT-0938
 product description: 700-2700MHz Outdoor 60-Degree Directional Antenna

Electrical Data

frequency range: 700-2700MHz	environmental cond.: Outdoor
gain: 12dBi	operation temperature: -40 to 85 deg C
vswr: <1.5:1	storage temperature: -40 to 85 deg C
horizontal pattern type: Directional	transport temperature: -40 to 85 deg C
vertical patter type: Directional	IP Rating: IP67
ground plane: Built In	RoHS - REACH Compliant
min ground plane : N/A	

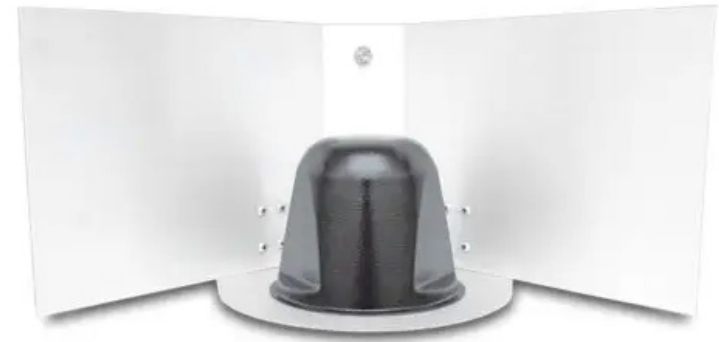
Environmental Data

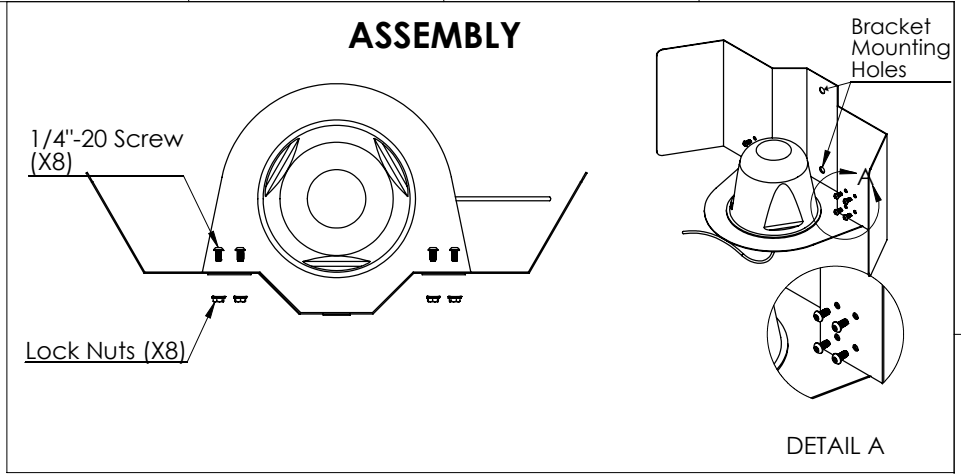
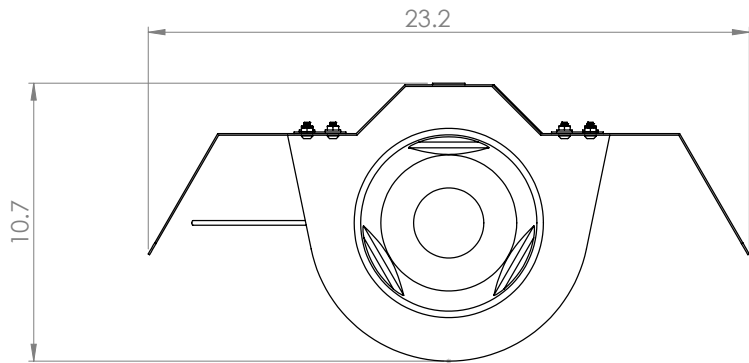
General Data

color: Black or White	length: 28 in
antenna feeds: One	width: 11 in
coax length: Various	height: 10 in
coax type: Low Loss 200 Series	mounting type: Connector
connector type: N-Female	hardware included: Mast Mount Bracket
polarization: Multi-Polarized	weight: 3.5 lbs
power: 50 Watts Input	
impedance: 50 ohms Nominal	
construction: UV Stabilized ASA	

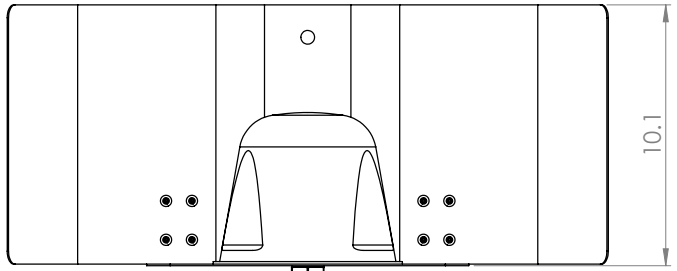
Mechanical Data

*** With built in spatial and polarization diversity, performance in obstructed environments is greater than that of standard antennas with similar or higher laboratory gains.**



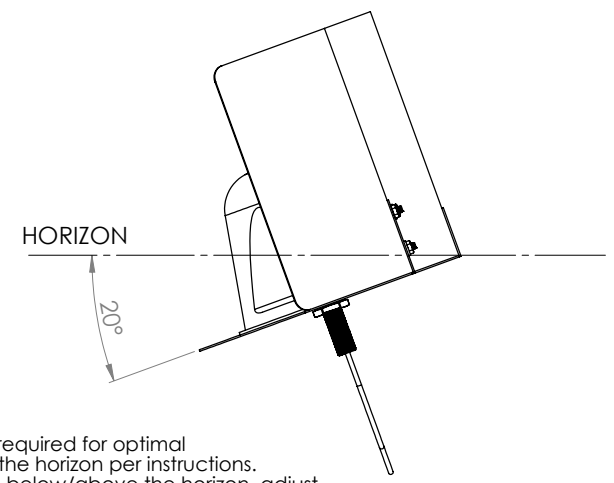


DETAIL A



Terminated Connection
N-Female

18" 200 Series Coax Pigtail



20° down tilt required for optimal coverage at the horizon per instructions. For coverage below/above the horizon, adjust down tilt accordingly.

- Notes:
 1) Frequency Range: 700 MHz-2700 MHz
 2) Mast Mount Hardware Included
 3) Color: White

REV	DESCRIPTION	DATE

MP ANTENNA, LTD. 147 Eady Court Elyria, OH 44035 www.mpantenna.com		PROPRIETARY AND CONFIDENTIAL THE INFORMATION CONTAINED IN THIS DRAWING IS THE SOLE PROPERTY OF MP Antenna Inc. ANY REPRODUCTION IN PART OR AS A WHOLE WITHOUT THE WRITTEN PERMISSION OF MP Antenna Inc IS PROHIBITED.	
UNLESS OTHERWISE SPECIFIED: DIMENSIONS ARE IN INCHES TOLERANCES: ONE PLACE DECIMAL ±.3 TWO PLACE DECIMAL ±.25	THD ANGLE	MATERIAL Assembly	NAME BM
FINISH	DO NOT SCALE DRAWING	DATE 2/21/17	DATE
ENG APPR.	MFG APPR.	DATE	DATE

TITLE: 700-2700 MHz 60 Degree Sector		REV A
SIZE B	DWG. NO. 08-ANT-0938-WH-NF	REV A
SCALE: 1:5	SHEET 1 OF 1	



MP Antenna, LTD.
147 Eady Court
Elyria, Ohio 44035

440.387.5968 phone
440.545.3500 fax
www.mpantenna.com
sales@mpantenna.com

Part Number: 08-ANT-0938

model number: 08-ANT-0938
product description: 700-2700MHz Outdoor 60-Degree Directional Antenna

Frequency: 700-2700MHz
Max Gain: 12dBi

