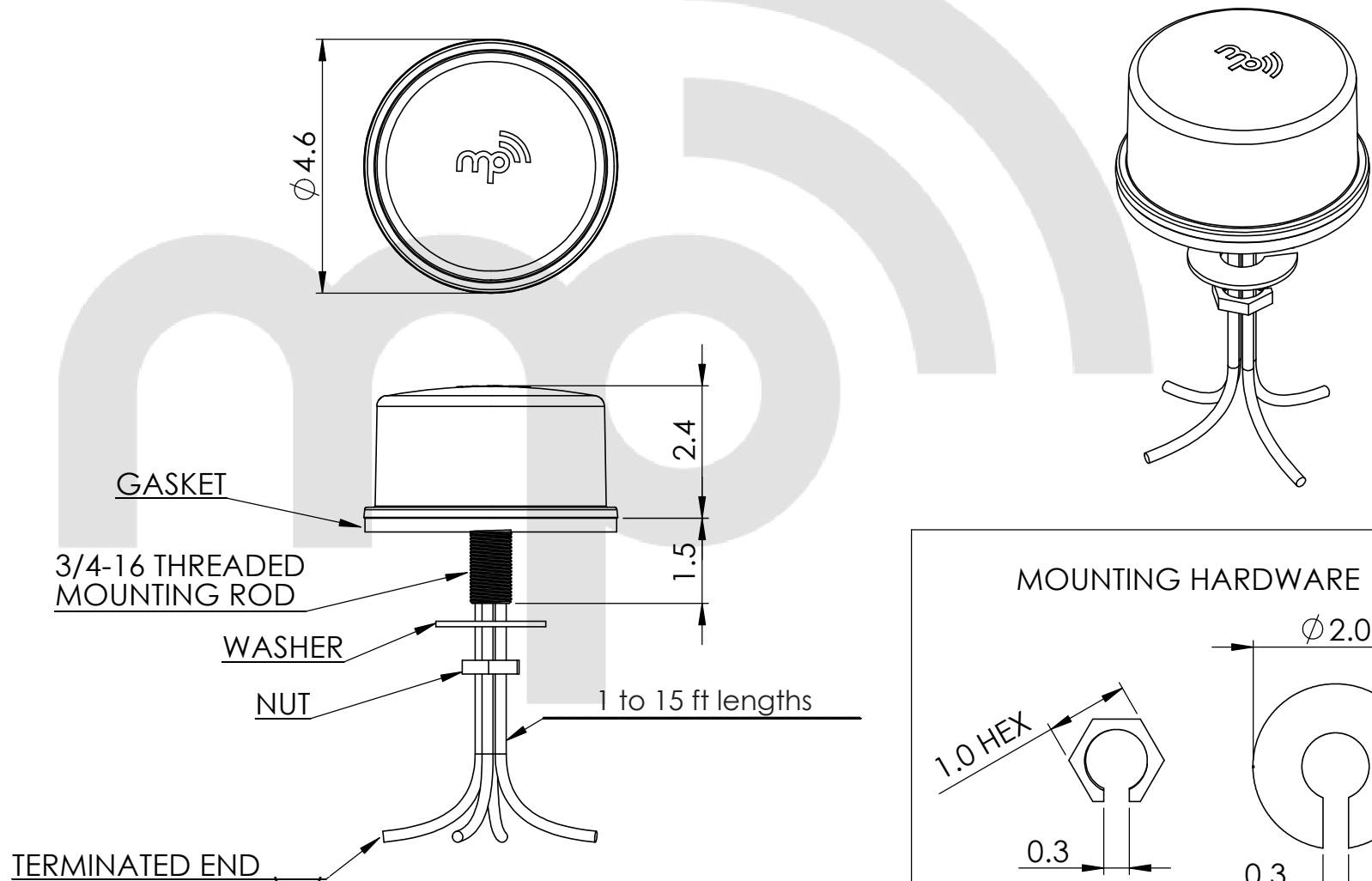


FREQUENCY RANGE	CONNECTOR	MINIMUM MOUNTING HOLE DIAMETER	MAX MOUNTING HOLE DIAMETER	MAX MOUNTING SURFACE THICKNESS	COLOR	NUMBER OF FEEDS
4.9-6GHz	Various (see chart)	see specific part number drawing	see specific part number drawing	see specific part number drawing	White or Black	1 to 4 leads



MP ANTENNA, LTD.
 147 Eady Court
 Elyria, OH 44035
 www.mpantenna.com

THIRD ANGLE	NAME	DATE
	BM	12/29/14

DIMENSIONS ARE IN INCHES

PROPRIETARY AND CONFIDENTIAL
 THE INFORMATION CONTAINED IN THIS DRAWING IS THE SOLE PROPERTY OF MP ANTENNA, LTD. ANY REPRODUCTION IN PART OR AS A WHOLE WITHOUT THE WRITTEN PERMISSION OF MP ANTENNA LTD IS PROHIBITED.

DESCRIPTION:
 4.9-6GHz Outdoor Mobile Antenna

Model Number:
 08-ANT-0937