



MP Antenna, LTD.
147 Eady Court
Elyria, Ohio 44035

440.387.5968 phone
440.545.3500 fax
www.mpantenna.com
sales@mpantenna.com

Part Number: 08-ANT-0937

model number: 08-ANT-0937
product description: 4.9-6GHz Police Mobile Public Safety Antenna

Electrical Data

frequency range:	4.9-6GHz	environmental cond.:	Outdoor
gain:	4dBi	operation temperature:	-40 to 85 deg C
vswr:	<1.5:1	storage temperature:	-40 to 85 deg C
horizontal pattern type:	Omni Directional	transport temperature:	-40 to 85 deg C
vertical patter type:	Hemispheric	IP Rating:	IP67
ground plane:	Built In	RoHS - REACH	Compliant
min ground plane :	N/A		

Environmental Data

General Data

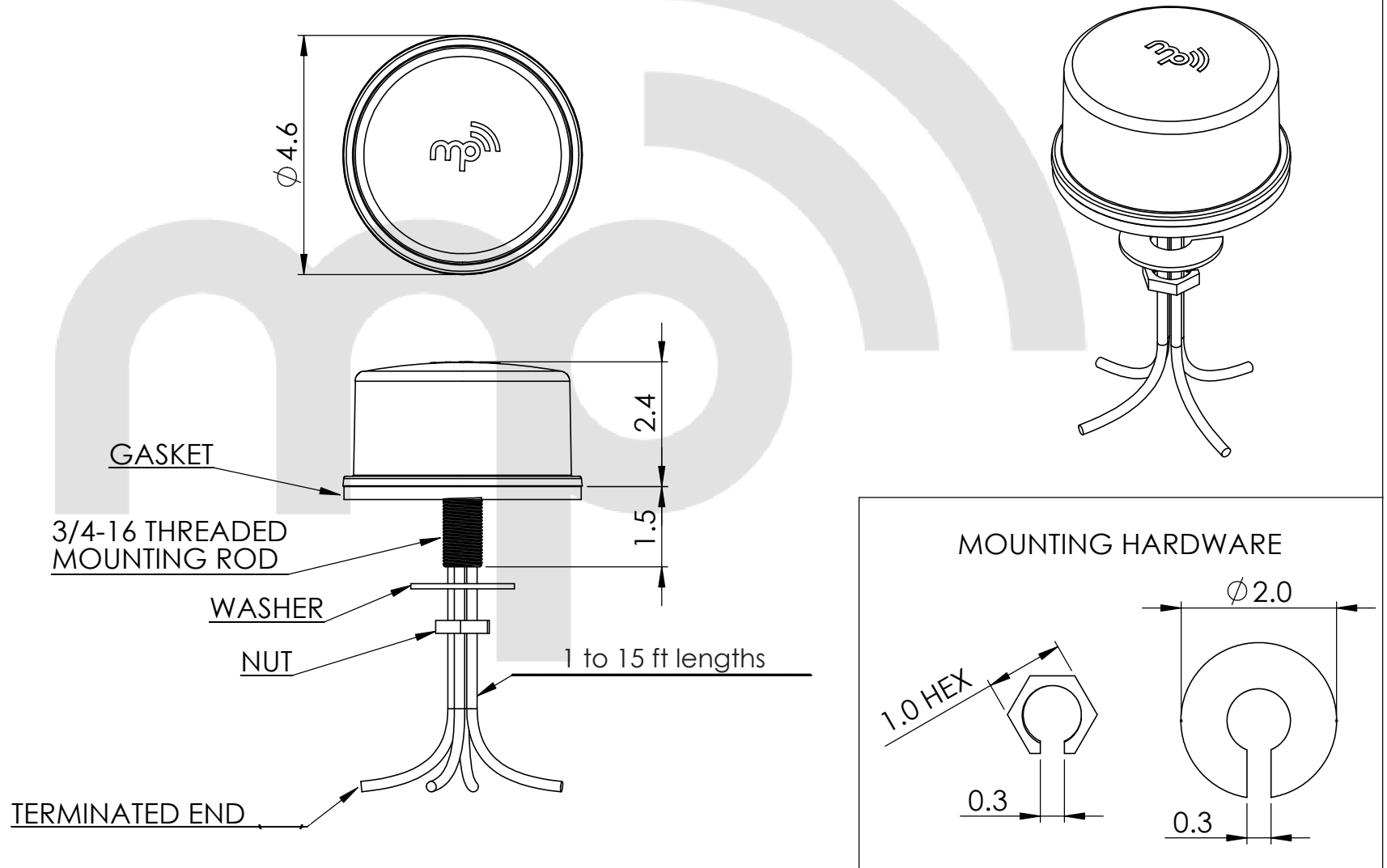
color:	Black or White	length:	4.5 in
antenna feeds:	Up to 6 Feeds	width:	4.5 in
coax length:	Various	height:	2.5 in
coax type:	Low Loss 200 Series	mounting type:	Connector
connector type:	Various	hardware included:	Nut and Washer
polarization:	Multi-Polarized	weight:	12 oz
power:	50 Watts Input		
impedance:	50 ohms Nominal		
construction:	UV Stabilized ASA		

Mechanical Data

*** With built in spatial and polarization diversity, performance in obstructed environments is greater than that of standard antennas with similar or higher laboratory gains.**



FREQUENCY RANGE	CONNECTOR	MINIMUM MOUNTING HOLE DIAMETER	MAX MOUNTING HOLE DIAMETER	MAX MOUNTING SURFACE THICKNESS	COLOR	NUMBER OF FEEDS
4.9-6GHz	Various (see chart)	see specific part number drawing	see specific part number drawing	see specific part number drawing	White or Black	1 to 4 leads



MP ANTENNA, LTD.
147 Eady Court
Elyria, OH 44035
www.mpantenna.com

THIRD ANGLE	NAME	DATE
	BM	12/29/14

DIMENSIONS ARE IN INCHES

PROPRIETARY AND CONFIDENTIAL
THE INFORMATION CONTAINED IN THIS DRAWING IS THE SOLE PROPERTY OF MP ANTENNA, LTD. ANY REPRODUCTION IN PART OR AS A WHOLE WITHOUT THE WRITTEN PERMISSION OF MP ANTENNA LTD IS PROHIBITED.

DESCRIPTION:
4.9-6GHz Outdoor Mobile Antenna

Model Number:
08-ANT-0937
Contact Sales for Part Number



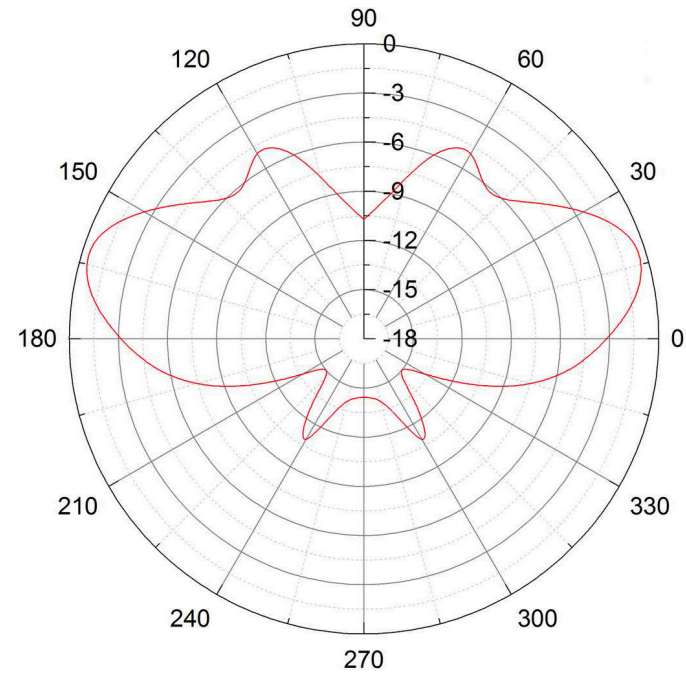
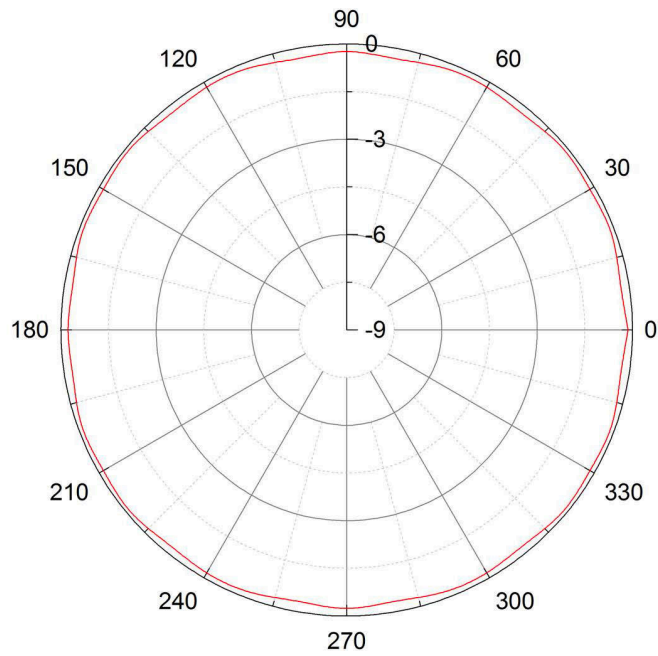
MP Antenna, LTD.
147 Eady Court
Elyria, Ohio 44035

440.387.5968 phone
440.545.3500 fax
www.mpantenna.com
sales@mpantenna.com

Part Number: 08-ANT-0937

model number: 08-ANT-0937
product description: 4.9-6GHz Police Mobile Public Safety Antenna

Frequency: 4.9GHz
Max Gain: 4dBi





MP Antenna, LTD.
147 Eady Court
Elyria, Ohio 44035

440.387.5968 phone
440.545.3500 fax
www.mpantenna.com
sales@mpantenna.com

Part Number: 08-ANT-0937

model number: 08-ANT-0937
product description: 4.9-6GHz Police Mobile Public Safety Antenna

Frequency: 5.8GHz
Max Gain: 4dBi

