



MP Antenna, LTD.
147 Eady Court
Elyria, Ohio 44035

440.387.5968 phone
440.545.3500 fax
www.mpantenna.com
sales@mpantenna.com

Part Number: 08-ANT-0936

model number: 08-ANT-0936
product description: 2-3GHz, 4-6GHz Outdoor Mobile Dual Band Wireless Antenna

Electrical Data

frequency range: 2-3GHz, 4-6GHz	environmental cond.: Outdoor
gain: 6dBi	operation temperature: -40 to 85 deg C
vswr: <1.2:1	storage temperature: -40 to 85 deg C
horizontal pattern type: Omni Directional	transport temperature: -40 to 85 deg C
vertical patter type: Hemispheric	IP Rating: IP66
ground plane: Not Included	RoHS - REACH Compliant
min ground plane : N/A	

Environmental Data

General Data

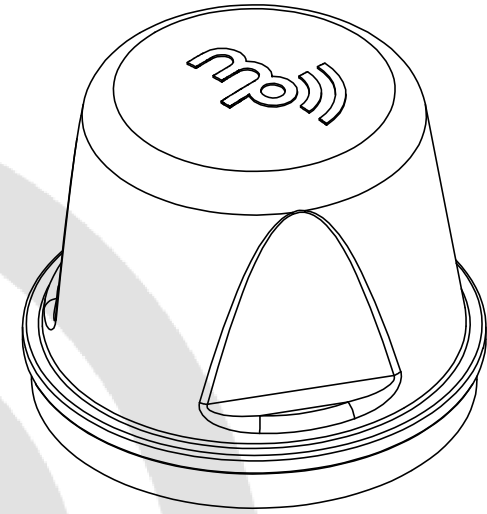
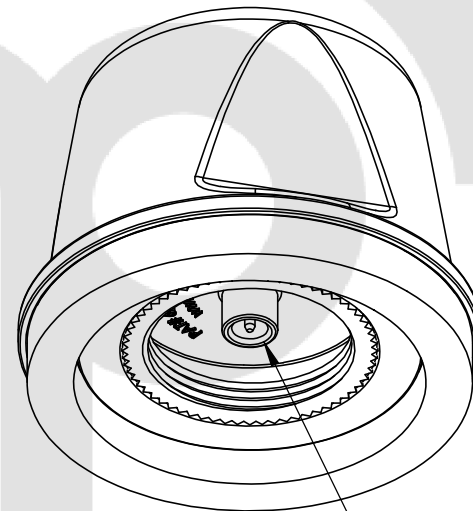
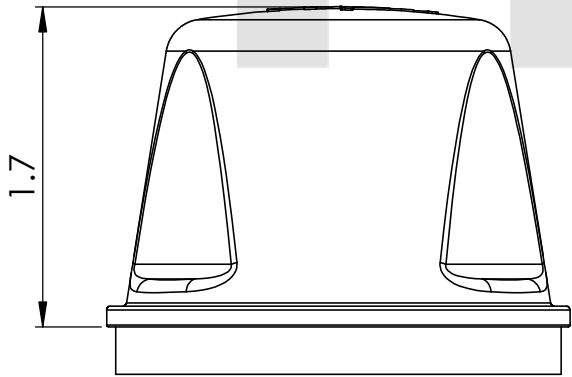
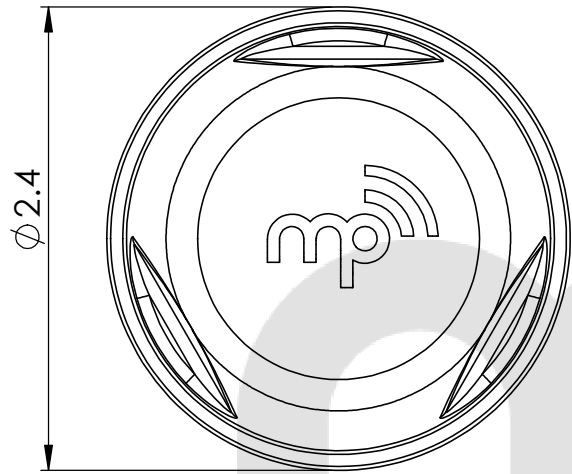
color: Black or White	length: 2.5 in
antenna feeds: One	width: 2.5 in
coax length: N/A	height: 1.75 in
coax type: N/A	mounting type: NMO Mount
connector type: High Frequency NMO Mount	hardware included: Antenna Only
polarization: Multi-Polarized	weight: 2 oz
power: 50 Watts Input	
impedance: 50 ohms Nominal	
construction: UV Stabilized ASA	

Mechanical Data



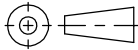
*** With built in spatial and polarization diversity, performance in obstructed environments is greater than that of standard antennas with similar or higher laboratory gains.**

FREQUENCY RANGE	COLOR
2-3 GHz ; 4.9-5.9 GHz	BLACK



HIGH FREQUENCY PIN STYLE NMO MOUNT

0.25 INCH THICK GASKET

MP ANTENNA, LTD. 147 Eady Court Elyria, OH 44035 www.mpantenna.com	THIRD ANGLE  DIMENSIONS ARE IN INCHES		PROPRIETARY AND CONFIDENTIAL THE INFORMATION CONTAINED IN THIS DRAWING IS THE SOLE PROPERTY OF MP ANTENNA, LTD. ANY REPRODUCTION IN PART OR AS A WHOLE WITHOUT THE WRITTEN PERMISSION OF MP ANTENNA LTD IS PROHIBITED.	DESCRIPTION: DUAL BAND OMNI NMO	PART NO. 08-ANT-0936	
		NAME				DATE
	DRAWN	BM				1/2/15



MP Antenna, LTD.
147 Eady Court
Elyria, Ohio 44035

440.387.5968 phone
440.545.3500 fax
www.mpantenna.com
sales@mpantenna.com

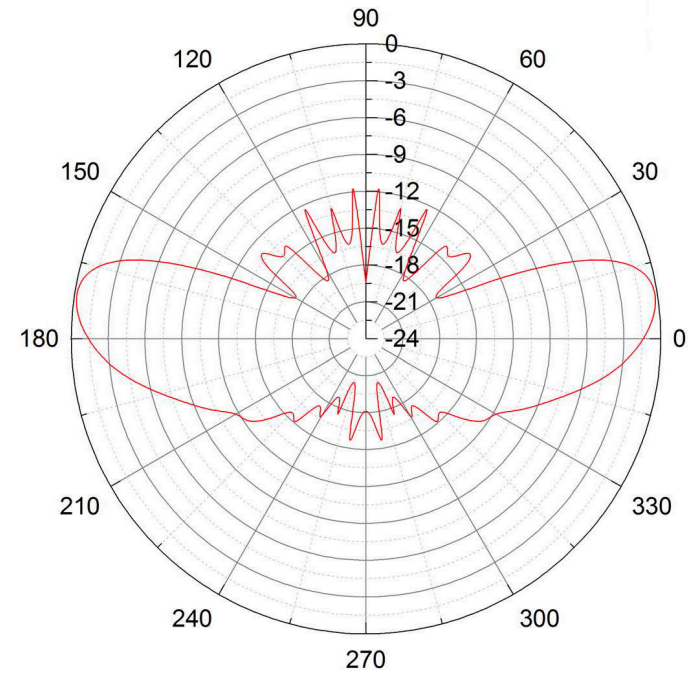
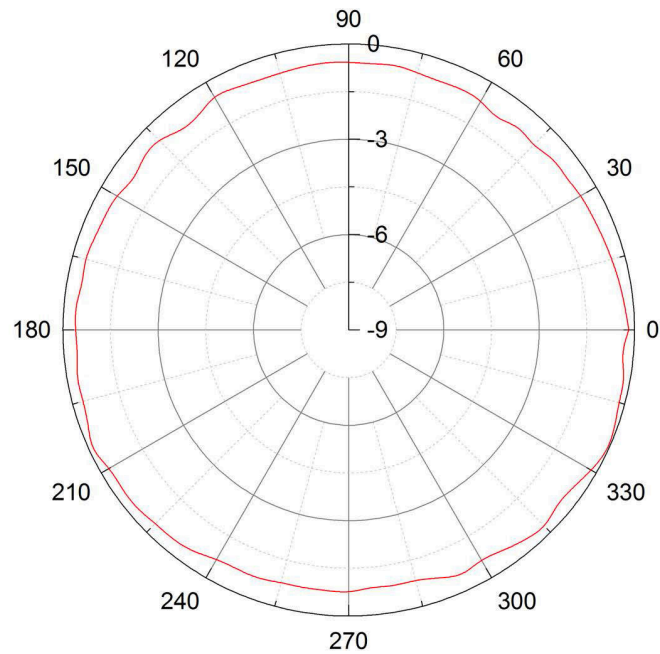
Part Number: 08-ANT-0936

model number: 08-ANT-0936

product description: 2-3GHz, 4-6GHz Outdoor Mobile Dual Band Wireless Antenna

Frequency: 4.9GHz

Max Gain: 6dBi





MP Antenna, LTD.
147 Eady Court
Elyria, Ohio 44035

440.387.5968 phone
440.545.3500 fax
www.mpantenna.com
sales@mpantenna.com

Part Number: 08-ANT-0936

model number: 08-ANT-0936

product description: 2-3GHz, 4-6GHz Outdoor Mobile Dual Band Wireless Antenna

Frequency: 5.8GHz
Max Gain: 6dBi

