



MP Antenna, LTD.
147 Eady Court
Elyria, Ohio 44035

440.387.5968 phone
440.545.3500 fax
www.mpantenna.com
sales@mpantenna.com

Part Number: 08-ANT-0934

model number: 08-ANT-0934
product description: 902-940MHz Outdoor 60-Degree Directional Antenna

Electrical Data

frequency range: 902-940MHz	environmental cond.: Outdoor
gain: 12dBi	operation temperature: -40 to 85 deg C
vswr: <1.3:1	storage temperature: -40 to 85 deg C
horizontal pattern type: Directional	transport temperature: -40 to 85 deg C
vertical patter type: Directional	IP Rating: IP67
ground plane: Built In	RoHS - REACH Compliant
min ground plane : N/A	

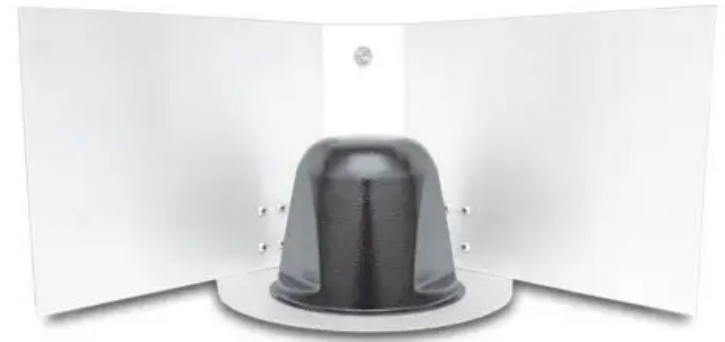
Environmental Data

General Data

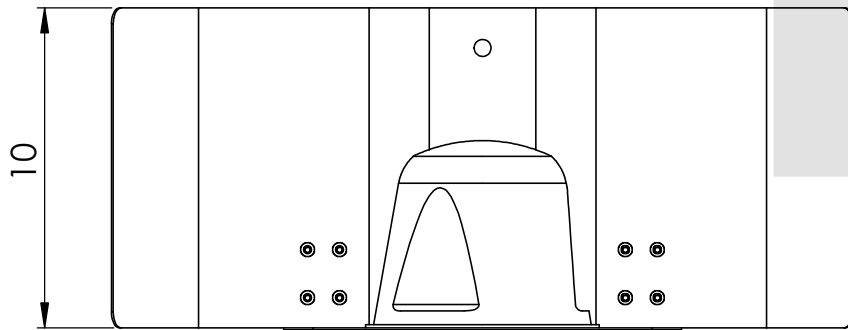
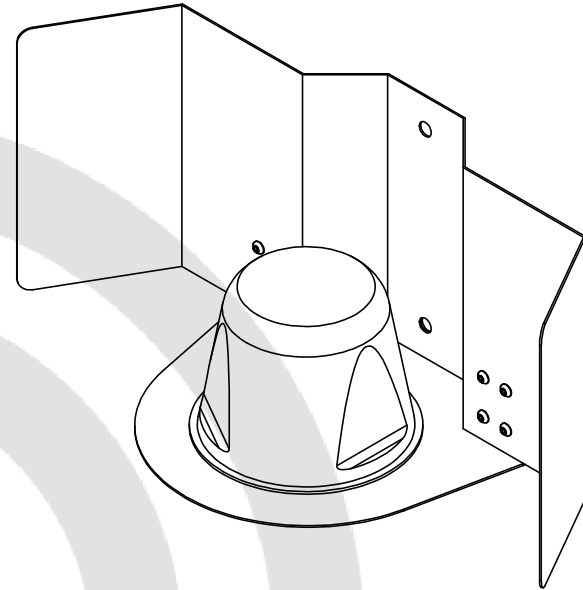
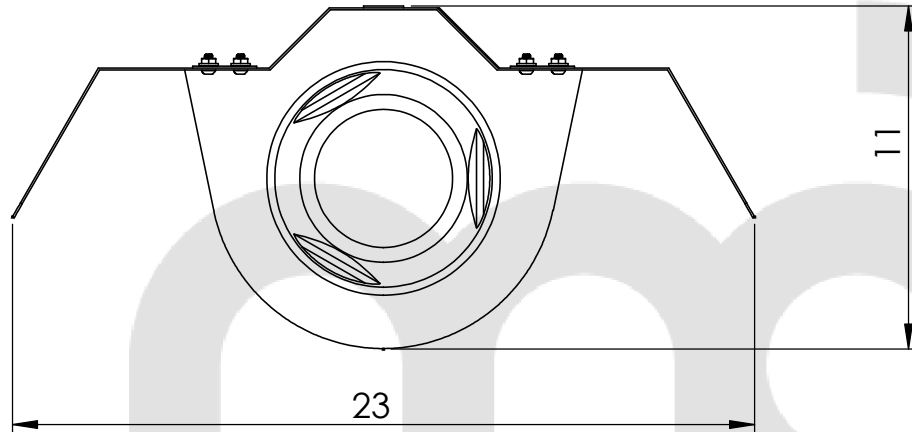
color: Black or White	length: 24 in
antenna feeds: One	width: 11 in
coax length: Various	height: 10 in
coax type: Low Loss 200 Series	mounting type: Connector
connector type: N-Female	hardware included: Mast Mount Bracket
polarization: Multi-Polarized	weight: 3.5 lbs
power: 50 Watts Input	
impedance: 50 ohms Nominal	
construction: UV Stabilized Polymers, High Grade Aluminum	

Mechanical Data

*** With built in spatial and polarization diversity, performance in obstructed environments is greater than that of standard antennas with similar or higher laboratory gains.**

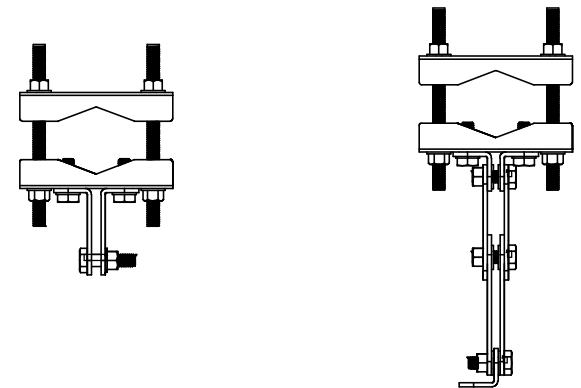


FREQUENCY RANGE	COLOR
902-940 MHz	BLACK

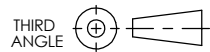


SMA FEMALE CONNECTOR

DOWNTILT BRACKET MOUNTING HARDWARE



MP ANTENNA, LTD.
147 Eady Court
Elyria, OH 44035
www.mpantenna.com



DIMENSIONS ARE IN INCHES

	NAME	DATE
DRAWN	BM	1/2/15

PROPRIETARY AND CONFIDENTIAL
THE INFORMATION CONTAINED IN THIS DRAWING IS THE SOLE PROPERTY OF MP ANTENNA, LTD. ANY REPRODUCTION IN PART OR AS A WHOLE WITHOUT THE WRITTEN PERMISSION OF MP ANTENNA LTD IS PROHIBITED.

DESCRIPTION:
900 MHz SECTOR, 60 DEGREE

PART NO.
08-ANT-0934



MP Antenna, LTD.
147 Eady Court
Elyria, Ohio 44035

440.387.5968 phone
440.545.3500 fax
www.mpantenna.com
sales@mpantenna.com

Part Number: 08-ANT-0934

model number: 08-ANT-0934
product description: 902-940MHz Outdoor 60-Degree Directional Antenna

Frequency: 902-940MHz
Max Gain: 12dBi

