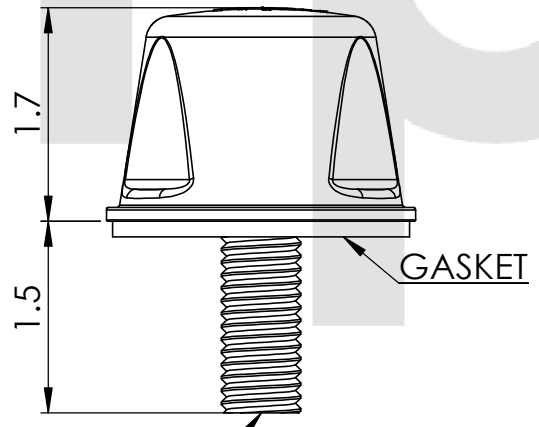
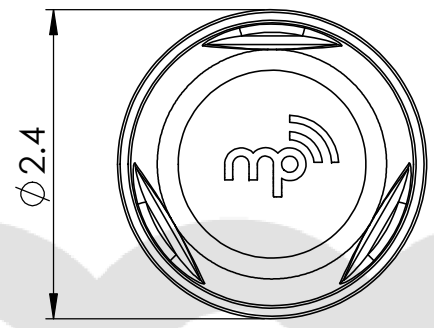
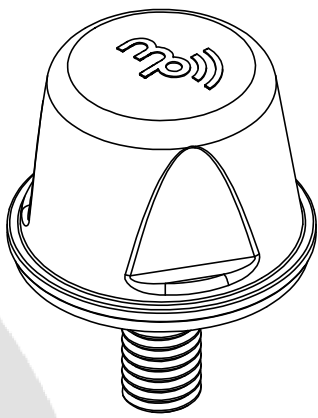
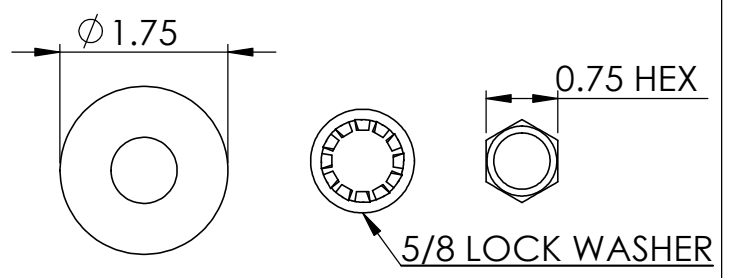


FREQUENCY RANGE	MOUNTING HOLE DIAMETER	MAX MOUNTING SURFACE THICKNESS	COLOR
3.3-3.7 GHz	0.65 INCHES MIN 1.0 INCHES MAX	0.5 INCHES	BLACK



N-FEMALE CONNECTOR

MOUNTING HARDWARE



MP ANTENNA, LTD.
147 Eady Court
Elyria, OH 44035
www.mpantenna.com

THIRD ANGLE	DIMENSIONS ARE IN INCHES	
	NAME	DATE
DRAWN	BM	10/12/15

PROPRIETARY AND CONFIDENTIAL
THE INFORMATION CONTAINED IN THIS DRAWING IS THE SOLE PROPERTY OF MP ANTENNA, LTD. ANY REPRODUCTION IN PART OR AS A WHOLE WITHOUT THE WRITTEN PERMISSION OF MP ANTENNA LTD IS PROHIBITED.

DESCRIPTION:
3.65 GHz OMNI

PART NO.
08-ANT-0929