



MP Antenna, LTD.
147 Eady Court
Elyria, Ohio 44035

440.387.5968 phone
440.545.3500 fax
www.mpantenna.com
sales@mpantenna.com

Part Number: 08-ANT-0923

model number: 08-ANT-0923

product description: 2.4GHz Omni Surface Mount Single Band WiFi Antenna

Electrical Data

frequency range: 2-3GHz	environmental cond.: Outdoor
gain: 6dBi	operation temperature: -40 to 85 deg C
vswr: <1.2:1	storage temperature: -40 to 85 deg C
horizontal pattern type: Omni-Directional	transport temperature: -40 to 85 deg C
vertical patter type: Hemispheric	IP Rating: IP67
ground plane: Not Included	RoHS - REACH Compliant
min ground plane : N/A	

Environmental Data

General Data

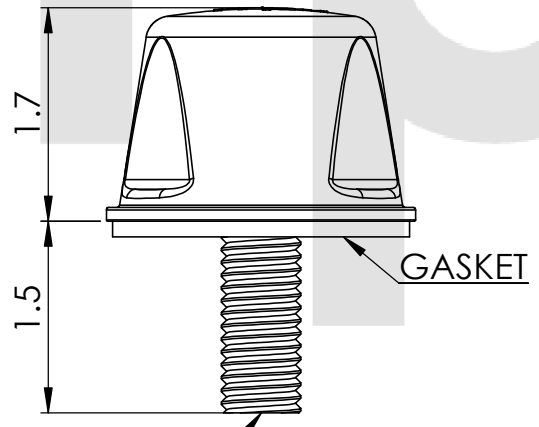
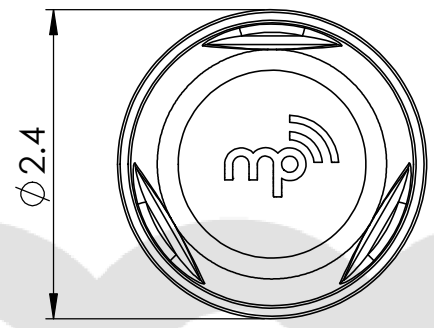
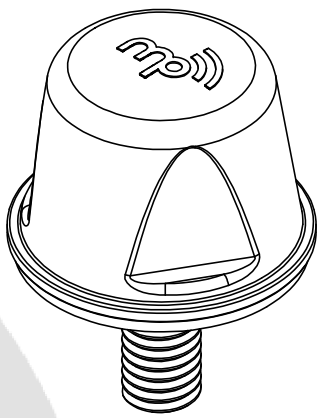
color: Black or White	length: 2.5 in
antenna feeds: One	width: 2.5 in
coax length: N/A	height: 1.75 in
coax type: N/A	mounting type: Surface
connector type: N-Female	hardware included: Nut and Washer
polarization: Multi-Polarized	weight: 2.6 oz
power: 50 Watts Input	
impedance: 50 ohms Nominal	
construction: UV Stabilized ASA	

Mechanical Data



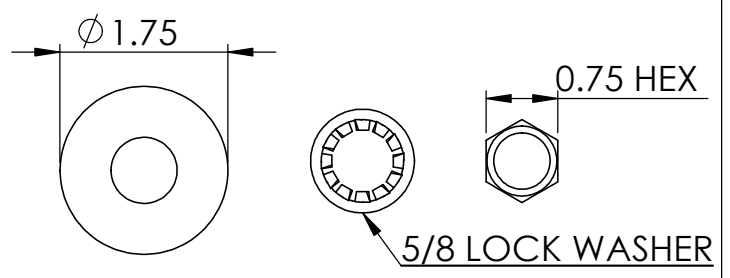
*** With built in spatial and polarization diversity, performance in obstructed environments is greater than that of standard antennas with similar or higher laboratory gains.**

FREQUENCY RANGE	MOUNTING HOLE DIAMETER	MAX MOUNTING SURFACE THICKNESS	COLOR
2-3 GHz	0.65 INCHES MIN 1.0 INCHES MAX	0.5 INCHES	BLACK



N-FEMALE CONNECTOR

MOUNTING HARDWARE



MP ANTENNA, LTD.
147 Eady Court
Elyria, OH 44035
www.mpantenna.com

THIRD ANGLE	DIMENSIONS ARE IN INCHES	
	NAME	DATE
DRAWN	BM	1/2/15

PROPRIETARY AND CONFIDENTIAL
THE INFORMATION CONTAINED IN THIS DRAWING IS THE SOLE PROPERTY OF MP ANTENNA, LTD. ANY REPRODUCTION IN PART OR AS A WHOLE WITHOUT THE WRITTEN PERMISSION OF MP ANTENNA LTD IS PROHIBITED.

DESCRIPTION:
2.4 GHz OMNI

PART NO.
08-ANT-0923



MP Antenna, LTD.
147 Eady Court
Elyria, Ohio 44035

440.387.5968 phone
440.545.3500 fax
www.mpantenna.com
sales@mpantenna.com

Part Number: 08-ANT-0923

model number: 08-ANT-0923

product description: 2.4GHz Omni Surface Mount Single Band WiFi Antenna

Frequency: 2.45GHz
Max Gain: 6dBi

