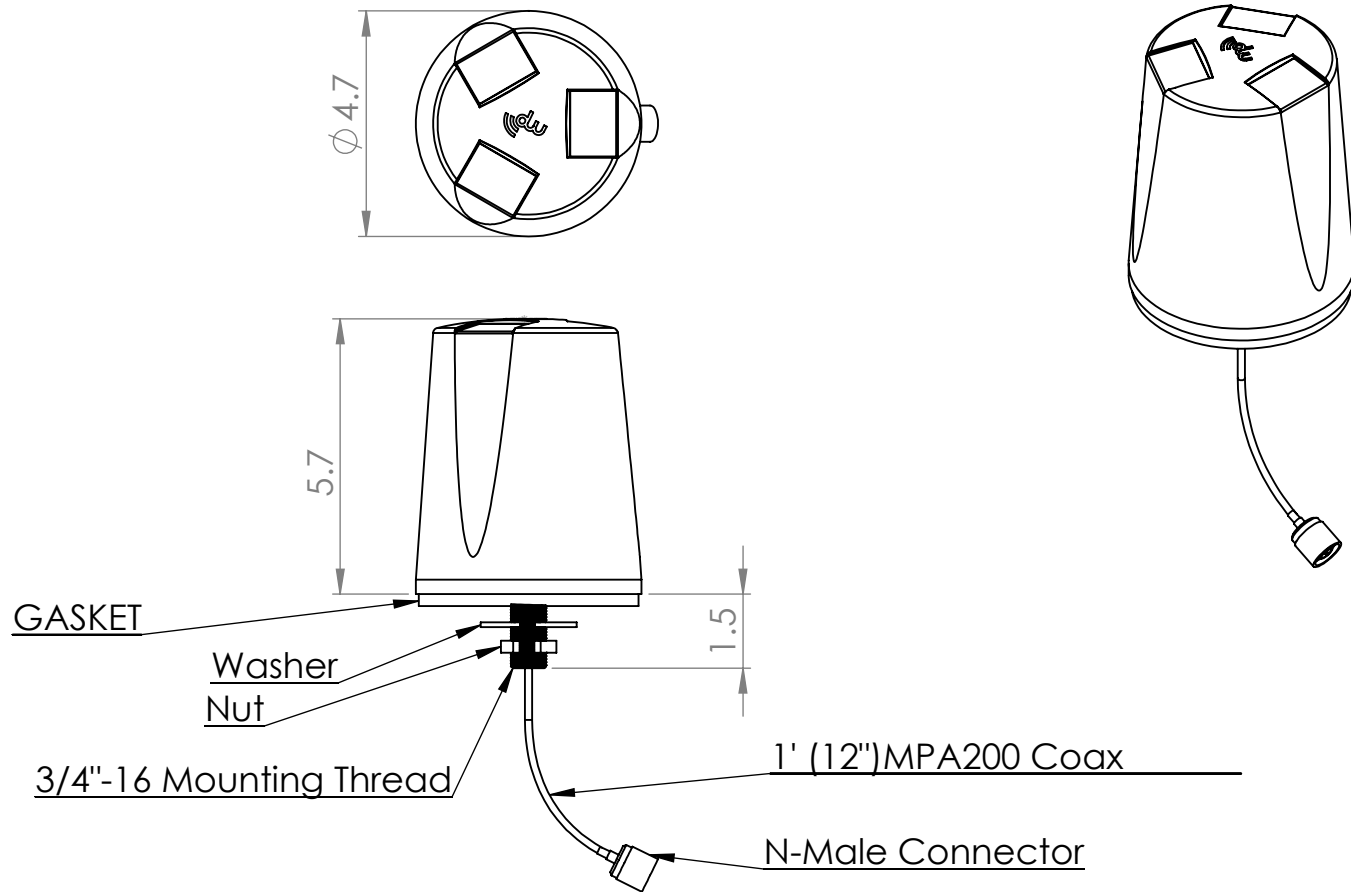


FREQUENCY RANGE	MAX MOUNTING SURFACE THICKNESS	COLOR
VARIOUS	1.0 INCHES	BLACK or WHITE



REV	DESCRIPTION	DATE	MP ANTENNA, LTD. 147 Eady Court Elyria, OH 44035 www.mpantenna.com		PROPRIETARY AND CONFIDENTIAL THE INFORMATION CONTAINED IN THIS DRAWING IS THE SOLE PROPERTY OF MP ANTENNA, LTD. ANY REPRODUCTION IN PART OR AS A WHOLE WITHOUT THE WRITTEN PERMISSION OF MP ANTENNA LTD IS PROHIBITED.		TITLE: Outdoor VHF UHF DAS Antenna			
			UNLESS OTHERWISE SPECIFIED: DIMENSIONS ARE IN INCHES TOLERANCES: ONE PLACE DECIMAL ± .2 TWO PLACE DECIMAL ± .10	THD ANGLE		NAME	DATE	SIZE A	DWG. NO. 08-ANT-0908ST	REV A
				MATERIAL Assembly	DRAWN	BM	7/20/15			
				FINISH	ENG APPR.			SCALE: 1:5		SHEET 1 OF 1
				DO NOT SCALE DRAWING	MFG APPR.					

5

↑

4

3

2

1