



MP Antenna, LTD.  
147 Eady Court  
Elyria, Ohio 44035

440.387.5968 phone  
440.545.3500 fax  
www.mpantenna.com  
sales@mpantenna.com

**Part Number: 08-ANT-0908ST**

model number: 08-ANT-0908ST  
product description: Omni Directional DAS Outdoor UHF VHF Antenna

**Electrical Data**

frequency range:	Various 12MHz Bandwidth	environmental cond.:	Outdoor
gain:	3dBi	operation temperature:	-40 to 85 deg C
vswr:	2.0:1	storage temperature:	-40 to 85 deg C
horizontal pattern type:	Omni-Directional	transport temperature:	-40 to 85 deg C
vertical patter type:	Full	IP Rating:	IP67
ground plane:	Built In	RoHS - REACH	Compliant
min ground plane :	N/A		

**Environmental Data**

**General Data**

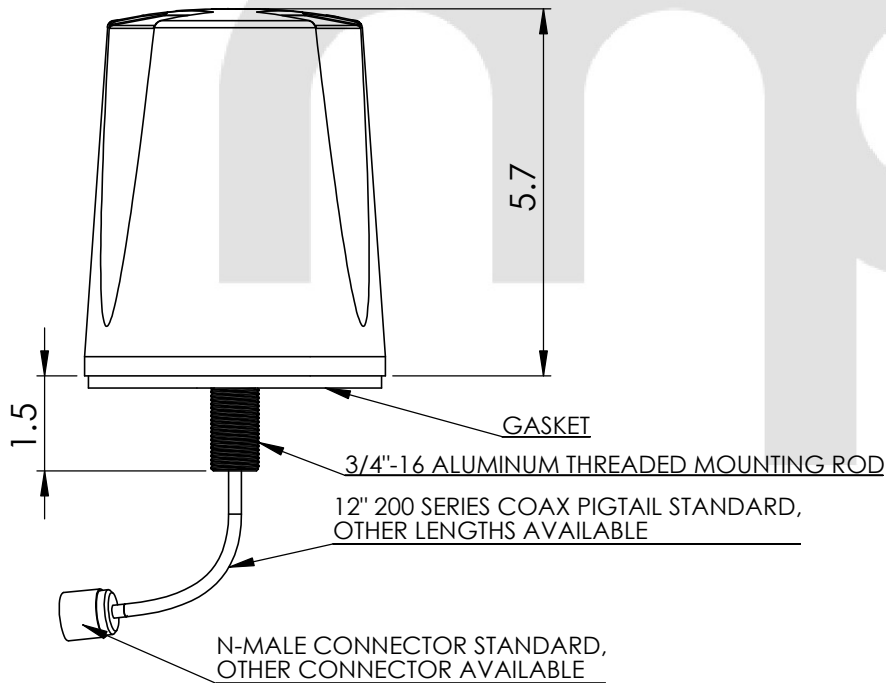
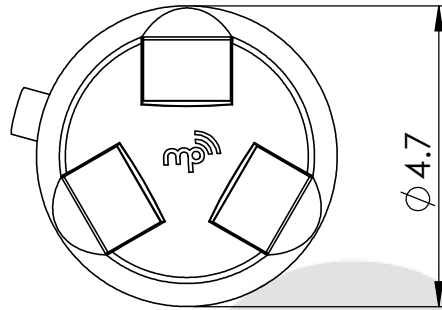
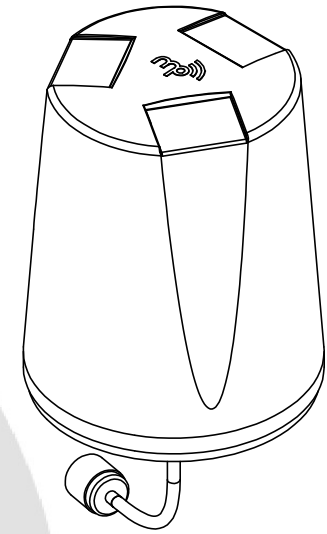
color:	Black or White	length:	4.75 in
antenna feeds:	One	width:	4.75 in
coax length:	Various	height:	5.75 in
coax type:	Low Loss 200 Series	mounting type:	Surface
connector type:	High Frequency NMO Mount	hardware included:	Nut and Washer
polarization:	Multi-Polarized	weight:	7 oz
power:	50 Watts Input		
impedance:	50 ohms Nominal		
construction:	UV Stabilized ASA		

**Mechanical Data**

**\* With built in spatial and polarization diversity, performance in obstructed environments is greater than that of standard antennas with similar or higher laboratory gains.**



FREQUENCY RANGE	MOUNTING HOLE SIZE	MOUNTING SURFACE MAX THICKNESS	COLOR
Various, Dependent on Part Number	Various, Dependent on Connector Type	1.0 Inches	White or Black



**MOUNTING HARDWARE**

Slotted Washer

Slotted Nut

MP ANTENNA, LTD.  
147 Eady Court  
Elyria, OH 44035  
www.mpantenna.com

THIRD ANGLE 	DIMENSIONS ARE IN INCHES	
	NAME	DATE
DRAWN	BM	12/30/14

**PROPRIETARY AND CONFIDENTIAL**  
THE INFORMATION CONTAINED IN THIS DRAWING IS THE SOLE PROPERTY OF MP ANTENNA, LTD. ANY REPRODUCTION IN PART OR AS A WHOLE WITHOUT THE WRITTEN PERMISSION OF MP ANTENNA LTD IS PROHIBITED.

**DESCRIPTION:**  
12 MHz Bandwidth  
Omni Antenna

**Model NO.**  
08-ANT-0908ST  
Contact Sales for Part Number



MP Antenna, LTD.  
147 Eady Court  
Elyria, Ohio 44035

440.387.5968 phone  
440.545.3500 fax  
www.mpantenna.com  
sales@mpantenna.com

**Part Number: 08-ANT-0908ST**

model number: 08-ANT-0908ST  
product description: Omni Directional DAS Outdoor UHF VHF Antenna

Frequency: Various 12MHz Bandwidth  
Max Gain: 3dBi

