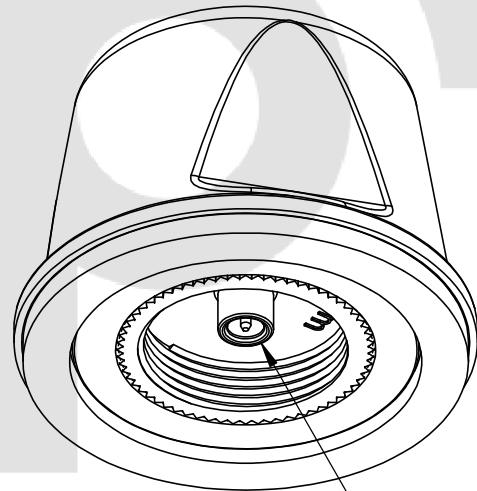
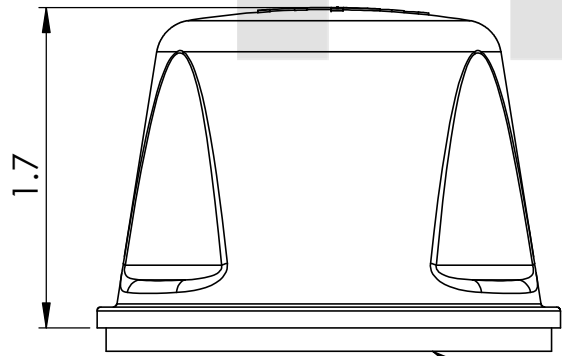
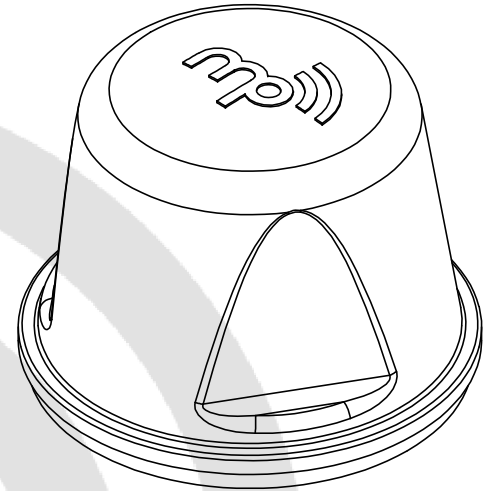
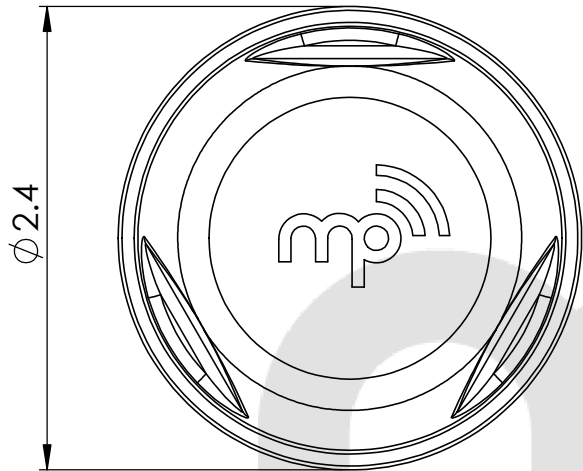



FREQUENCY RANGE	COLOR
3-4 GHz	BLACK



HIGH FREQUENCY PIN STYLE NMO MOUNT

GASKET

MP ANTENNA, LTD. 147 Eady Court Elyria, OH 44035 www.mpantenna.com	THIRD ANGLE 	DIMENSIONS ARE IN INCHES		PROPRIETARY AND CONFIDENTIAL THE INFORMATION CONTAINED IN THIS DRAWING IS THE SOLE PROPERTY OF MP ANTENNA, LTD. ANY REPRODUCTION IN PART OR AS A WHOLE WITHOUT THE WRITTEN PERMISSION OF MP ANTENNA LTD IS PROHIBITED.	DESCRIPTION: 3 GHz NMO OMNI	PART NO. 08-ANT-0903
	DRAWN	NAME	DATE			
	BM	12/30/14				