



MP Antenna, LTD.
147 Eady Court
Elyria, Ohio 44035

440.387.5968 phone
440.545.3500 fax
www.mpantenna.com
sales@mpantenna.com

Part Number: 08-ANT-0901

model number: 08-ANT-0901
product description: 896-960MHz Mobile Multiband Omni Directional Antenna

Electrical Data

frequency range: 896-960MHz	environmental cond.: Outdoor
gain: 3dBi	operation temperature: -40 to 85 deg C
vswr: <1.5:1	storage temperature: -40 to 85 deg C
horizontal pattern type: Omni-Directional	transport temperature: -40 to 85 deg C
vertical patter type: Full	IP Rating: IP66
ground plane: Built-In	RoHS - REACH Compliant
min ground plane : N/A	

Environmental Data

General Data

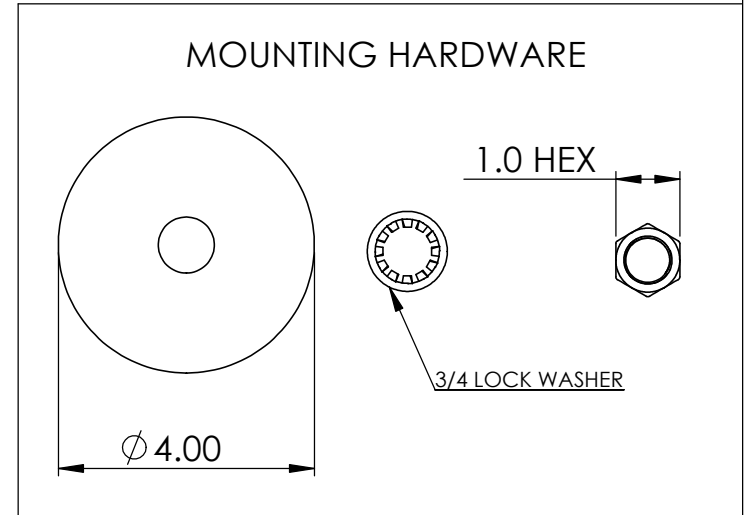
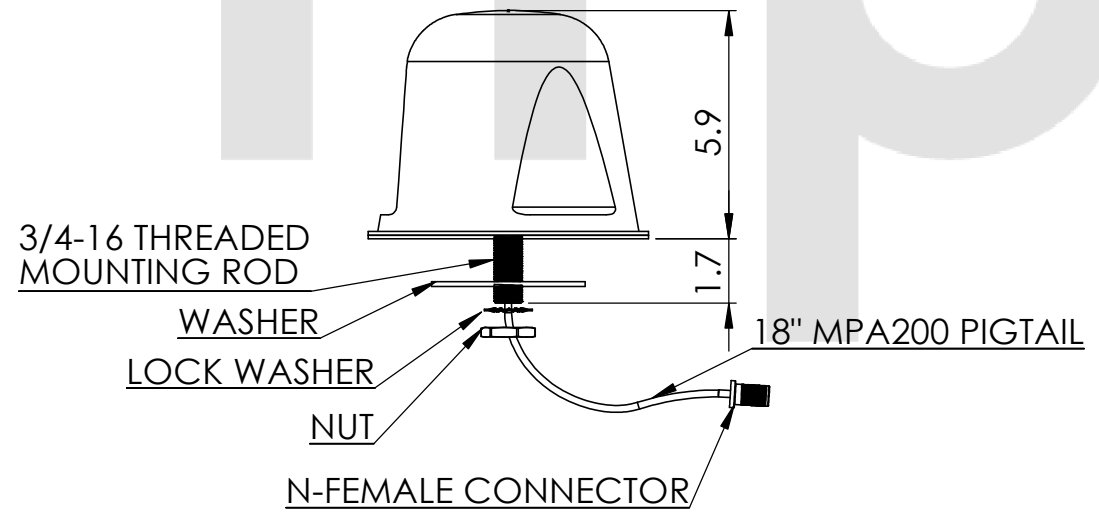
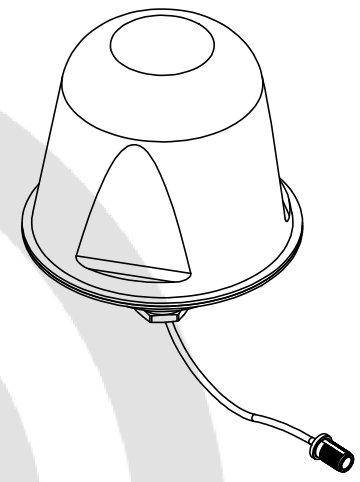
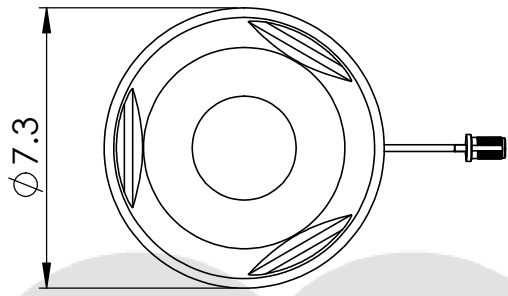
color: Black or White	length: 7.5 in
antenna feeds: One	width: 7.5 in
coax length: Various	height: 7 in
coax type: Low Loss 200 Series	mounting type: Conncetor
connector type: Various	hardware included: Antenna Only
polarization: Multi-Polarized	weight: 12 oz
power: 50 Watts Input	
impedance: 50 ohms Nominal	
construction: UV Stabilized Polymers	

Mechanical Data

*** With built in spatial and polarization diversity, performance in obstructed environments is greater than that of standard antennas with similar or higher laboratory gains.**



FREQUENCY RANGE	MOUNTING HOLE SIZE	MAX MOUNTING SURFACE THICKNESS	COLOR
896-960 MHz	0.78 INCHES MIN 1.0 INCHES MAX	1.0 INCHES	BLACK



MP ANTENNA, LTD.
147 Eady Court
Elyria, OH 44035
www.mpantenna.com

THIRD ANGLE	DIMENSIONS ARE IN INCHES	
	NAME	DATE
DRAWN	BM	12/30/14

PROPRIETARY AND CONFIDENTIAL
THE INFORMATION CONTAINED IN THIS DRAWING IS THE SOLE PROPERTY OF MP ANTENNA, LTD. ANY REPRODUCTION IN PART OR AS A WHOLE WITHOUT THE WRITTEN PERMISSION OF MP ANTENNA LTD IS PROHIBITED.

DESCRIPTION:
900 MHz OMNI ANTENNA

PART NO.
08-ANT-0901



MP Antenna, LTD.
147 Eady Court
Elyria, Ohio 44035

440.387.5968 phone
440.545.3500 fax
www.mpantenna.com
sales@mpantenna.com

Part Number: 08-ANT-0901

model number: 08-ANT-0901

product description: 896-960MHz Mobile Multiband Omni Directional Antenna

Frequency: 910MHz
Max Gain: 3dBi

