



MP Antenna, LTD.  
147 Eady Court  
Elyria, Ohio 44035

440.387.5968 phone  
440.545.3500 fax  
www.mpantenna.com  
sales@mpantenna.com

**Part Number: 08-ANT-0899**

model number: 08-ANT-0899  
product description: 2-3GHz Mobile Broadband Vehicle WiFi Wireless Antenna

**Electrical Data**

|                          |                        |
|--------------------------|------------------------|
| frequency range:         | 2-3GHz                 |
| gain:                    | 6dBi                   |
| vswr:                    | <1.5:1                 |
| horizontal pattern type: | Omni-Directional       |
| vertical patter type:    | Full                   |
| ground plane:            | Not Included           |
| min ground plane :       | 4.5 in min recommended |

**Environmental Data**

|                        |                 |
|------------------------|-----------------|
| environmental cond.:   | Outdoor         |
| operation temperature: | -40 to 85 deg C |
| storage temperature:   | -40 to 85 deg C |
| transport temperature: | -40 to 85 deg C |
| IP Rating:             | IP67            |
| RoHS - REACH           | Compliant       |

**General Data**

|                 |                          |
|-----------------|--------------------------|
| color:          | Black or White           |
| antenna feeds:  | One                      |
| coax length:    | N/A                      |
| coax type:      | N/A                      |
| connector type: | High Frequency NMO Mount |
| polarization:   | Multi-Polarized          |
| power:          | 50 Watts Input           |
| impedance:      | 50 ohms Nominal          |
| construction:   | UV Stabilized ASA        |

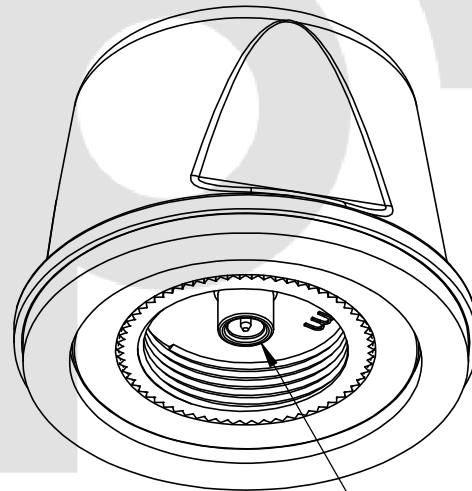
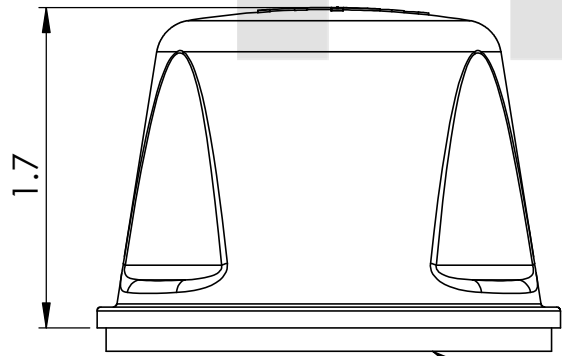
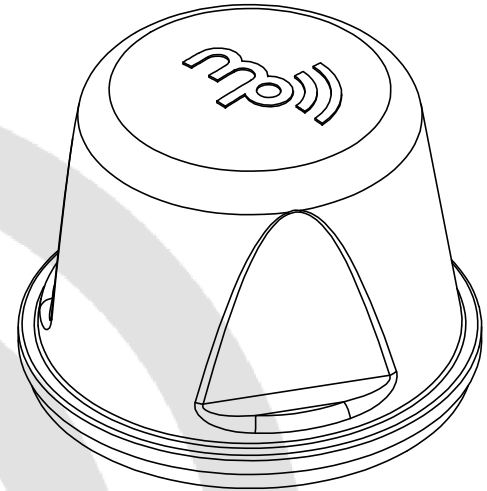
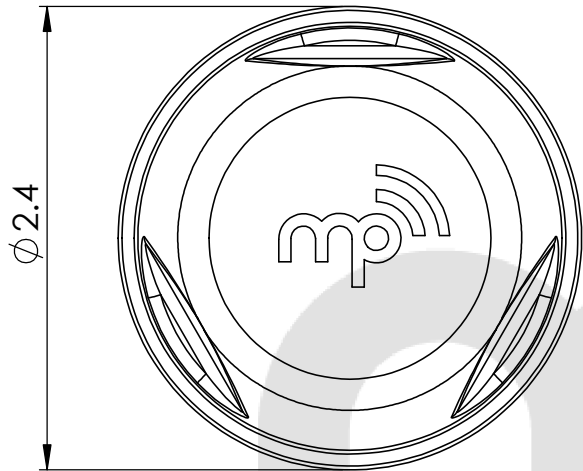
**Mechanical Data**

|                    |              |
|--------------------|--------------|
| length:            | 2.5 in       |
| width:             | 2.5 in       |
| height:            | 1.75 in      |
| mounting type:     | Connector    |
| hardware included: | Antenna Only |
| weight:            | 2 oz         |



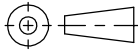
**\* With built in spatial and polarization diversity, performance in obstructed environments is greater than that of standard antennas with similar or higher laboratory gains.**

|                 |       |
|-----------------|-------|
| FREQUENCY RANGE | COLOR |
| 2-3 GHz         | BLACK |



HIGH FREQUENCY PIN STYLE NMO MOUNT

GASKET

|   |  |      |  |                                  |                         |          |
|---|--|------|--|----------------------------------|-------------------------|----------|
| MP ANTENNA, LTD.<br>147 Eady Court<br>Elyria, OH 44035<br>www.mpantenna.com | THIRD ANGLE  DIMENSIONS ARE IN INCHES |      | <b>PROPRIETARY AND CONFIDENTIAL</b><br>THE INFORMATION CONTAINED IN THIS DRAWING IS THE SOLE PROPERTY OF MP ANTENNA, LTD. ANY REPRODUCTION IN PART OR AS A WHOLE WITHOUT THE WRITTEN PERMISSION OF MP ANTENNA LTD IS PROHIBITED. | DESCRIPTION:<br>2.4 GHz NMO OMNI | PART NO.<br>08-ANT-0899 |          |
|   |  | NAME |  |                                  |                         | DATE     |
|   | DRAWN  | BM   |  |                                  |                         | 12/30/14 |



MP Antenna, LTD.  
147 Eady Court  
Elyria, Ohio 44035

440.387.5968 phone  
440.545.3500 fax  
www.mpantenna.com  
sales@mpantenna.com

**Part Number: 08-ANT-0899**

model number: 08-ANT-0899

product description: 2-3GHz Mobile Broadband Vehicle WiFi Wireless Antenna

Frequency: 2.45Hz

Max Gain: 6dBi

