



MP Antenna, LTD.  
147 Eady Court  
Elyria, Ohio 44035

440.387.5968 phone  
440.545.3500 fax  
www.mpantenna.com  
sales@mpantenna.com

**Part Number: 08-ANT-0891**

model number: 08-ANT-0891  
product description: 400-500MHz Land Mobile Base Station UHF VHF Antenna

**Electrical Data**

frequency range:	400-500MHz	environmental cond.:	Outdoor
gain:	3dBi	operation temperature:	-40 to 85 deg C
vswr:	<1.8:1	storage temperature:	-40 to 85 deg C
horizontal pattern type:	Omni-Directional	transport temperature:	-40 to 85 deg C
vertical patter type:	Full	IP Rating:	N/A
ground plane:	Built In	RoHS - REACH	Compliant
min ground plane :	N/A		

**Environmental Data**

**General Data**

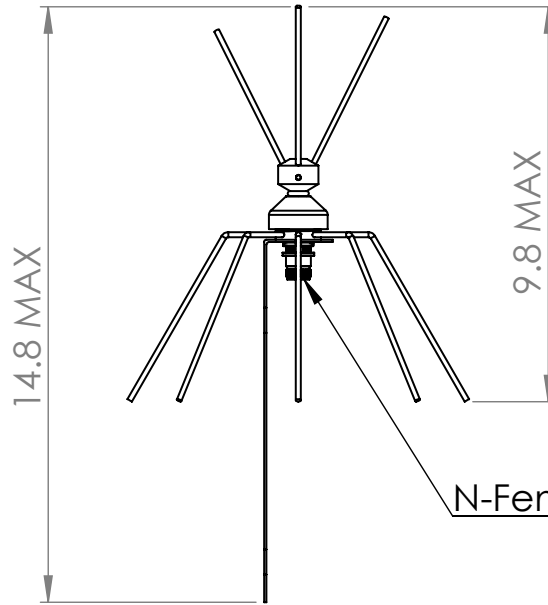
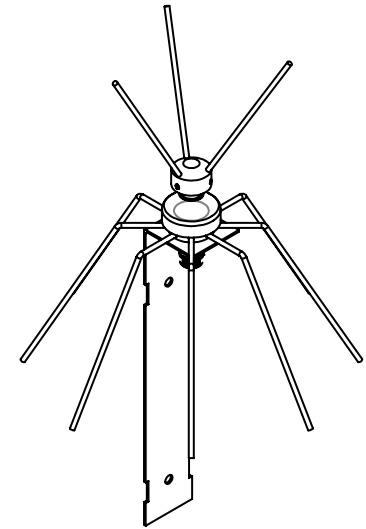
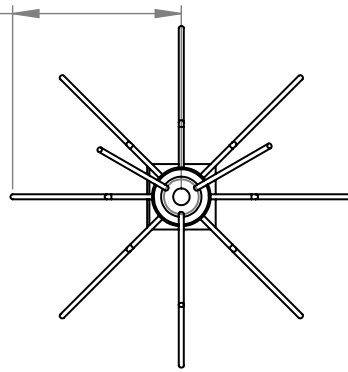
color:	N/A	length:	8 in
antenna feeds:	One	width:	8 in
coax length:	N/A	height:	9 in
coax type:	N/A	mounting type:	Connector
connector type:	N-Female	hardware included:	Mast Mount Bracket
polarization:	Multi-Polarized	weight:	13 oz
power:	50 Watts Input		
impedance:	50 ohms Nominal		
construction:	Stainless Steel, Aluminum		

**Mechanical Data**

**\* With built in spatial and polarization diversity, performance in obstructed environments is greater than that of standard antennas with similar or higher laboratory gains.**



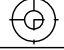
4.2 MAX



N-Female Connector

Notes:

1) Frequency Range: 400-500 MHz

REV	DESCRIPTION	DATE	MP ANTENNA, LTD. 147 Eady Court Elyria, OH 44035 www.mpantenna.com		<b>PROPRIETARY AND CONFIDENTIAL</b> THE INFORMATION CONTAINED IN THIS DRAWING IS THE SOLE PROPERTY OF MP ANTENNA, LTD. ANY REPRODUCTION IN PART OR AS A WHOLE WITHOUT THE WRITTEN PERMISSION OF MP ANTENNA LTD IS PROHIBITED.		TITLE: <b>400 Base Station</b>		
			UNLESS OTHERWISE SPECIFIED: DIMENSIONS ARE IN INCHES TOLERANCES: ONE PLACE DECIMAL ± .2 TWO PLACE DECIMAL ± .15	THD ANGLE 	NAME	DATE	SIZE <b>A</b>	DWG. NO. <b>08-ANT-0891</b>	REV <b>A</b>
				MATERIAL <b>Assembly</b>	DRAWN BM	5/31/12			
				FINISH	ENG APPR.				
				DO NOT SCALE DRAWING	MFG APPR.				SHEET 1 OF 1



MP Antenna, LTD.  
147 Eady Court  
Elyria, Ohio 44035

440.387.5968 phone  
440.545.3500 fax  
www.mpantenna.com  
sales@mpantenna.com

**Part Number: 08-ANT-0891**

model number: 08-ANT-0891  
product description: 400-500MHz Land Mobile Base Station UHF VHF Antenna

Frequency: 450Hz  
Max Gain: 3dBi

