



MP Antenna, LTD.
147 Eady Court
Elyria, Ohio 44035

440.387.5968 phone
440.545.3500 fax
www.mpantenna.com
sales@mpantenna.com

Part Number: 08-ANT-0874

model number: 08-ANT-0874
product description: 2.4GHz Omni Directional WiFi Router Antenna

Electrical Data

frequency range: 2-3GHz	environmental cond.: Indoor
gain: 3dBi	operation temperature: -40 to 85 deg C
vswr: <1.5:1	storage temperature: -40 to 85 deg C
horizontal pattern type: Omni-Directional	transport temperature: -40 to 85 deg C
vertical patter type: Full	IP Rating: N/A
ground plane: Built In	RoHS - REACH Compliant
min ground plane : N/A	

Environmental Data

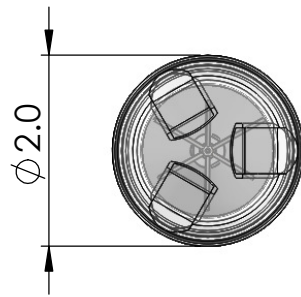
General Data

color: Clear or White	length: 2 in
antenna feeds: One	width: 2 in
coax length: 16 in	height: 4 in
coax type: Low Loss 200 Series	mounting type: Connector
connector type: Various	hardware included: Antenna Only
polarization: Multi-Polarized	weight: 1.6 oz
power: 50 Watts Input	
impedance: 50 ohms Nominal	
construction: UV Stabilized Polymers, High Grade Aluminum	

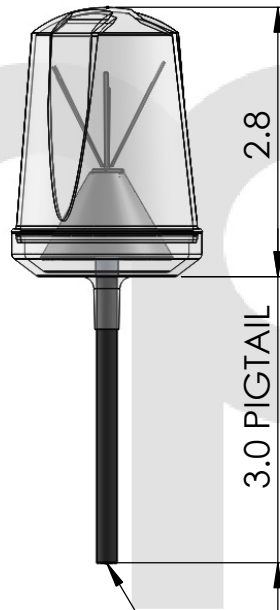
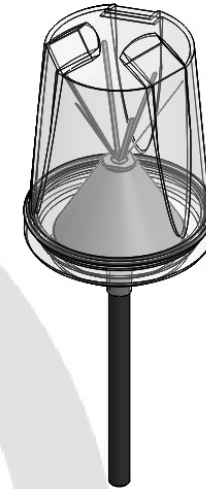
Mechanical Data

*** With built in spatial and polarization diversity, performance in obstructed environments is greater than that of standard antennas with similar or higher laboratory gains.**





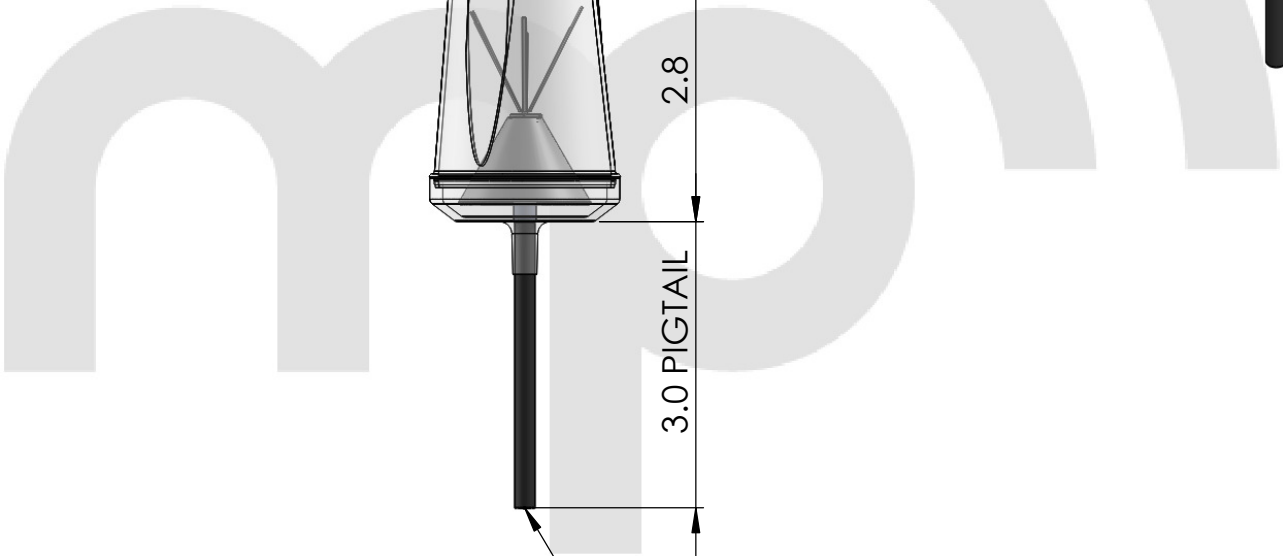
Ø 2.0



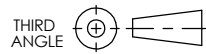
2.8

3.0 PIGTAIL

TERMINATED CONNECTION



MP ANTENNA, LTD.
147 Eady Court
Elyria, OH 44035
www.mpantenna.com



THIRD ANGLE

DIMENSIONS ARE IN INCHES

	NAME	DATE
DRAWN	BM	12/19/14

PROPRIETARY AND CONFIDENTIAL
THE INFORMATION CONTAINED IN THIS DRAWING IS THE SOLE PROPERTY OF MP ANTENNA, LTD. ANY REPRODUCTION IN PART OR AS A WHOLE WITHOUT THE WRITTEN PERMISSION OF MP ANTENNA LTD IS PROHIBITED.

DESCRIPTION:
TRIDENT WIFI ANTENNA
FREQUENCY RANGE: 2 TO 3 GHz

PART NO.
08-ANT-0874



MP Antenna, LTD.
147 Eady Court
Elyria, Ohio 44035

440.387.5968 phone
440.545.3500 fax
www.mpantenna.com
sales@mpantenna.com

Part Number: 08-ANT-0874

model number: 08-ANT-0874
product description: 2.4GHz Omni Directional WiFi Router Antenna

Frequency: 2.45GHz
Max Gain: 3dBi

