



INSTALLATION INSTRUCTIONS

SUPER-M ULTRA MOBILE

MULTI-POLARIZED HAM, SCANNER, AND TWO-WAY RADIO ANTENNA

PACKAGE CONTENTS:

- Hub with six set screws, O-ring and NMO style adapter attached.
(NMO Adapter not included with PN (08-ANT-0877))
- 3 straight elements (Various lengths)
- 3 bent elements (Various lengths)
- Rubber washer
- Allen wrench

MP Antenna, LTD.
7887 Bliss Parkway
North Ridgeville, Ohio 44039

877 678 3243 *phone*
877 678 3245 *fax*
sales@mpantenna.com
www.mpantenna.com

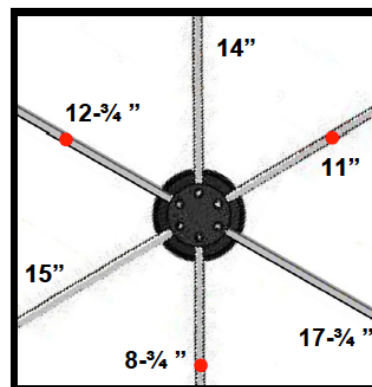
Before Installation

Element lengths are critical. Do not change any element length.

Installation Instructions

1. Start from any hole and insert elements in order as shown above.
2. Tighten set screws so that elements do not turn or pull out.
3. Install on vehicle.

TOP VIEW

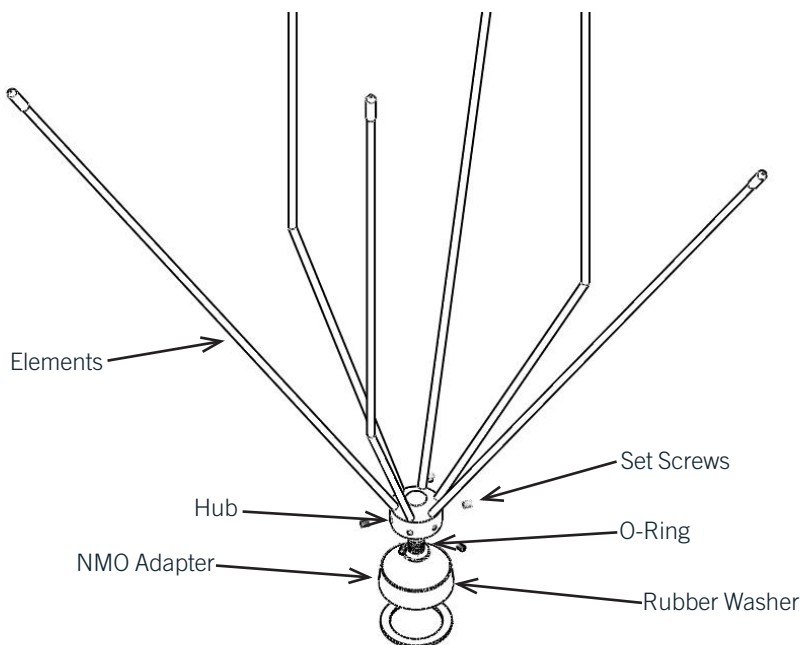


●:Lengths after bend

ASSEMBLED VIEW



EXPANDED VIEW



rethink the antenna™

MP Antenna reserves the right to change product information and specifications without notice. Responsibility for the use and application of MP Antenna products rests with the end user since MP Antenna cannot be aware of all potential uses. MP Antenna makes no warranties as to the fitness, merchantability, or suitability of any MP Antenna products for any specific or general uses. MP Antenna shall not be liable for incidental or consequential damages of any kind.* MP Antenna products and technology are protected under United States Patent No. 6,496,152 and other patents applied for. Please contact MP Antenna for information about using or licensing MP Antenna products or technology.