



INSTALLATION INSTRUCTIONS

SECTOR MAST MOUNT

MULTI-POLARIZED HIGH GAIN DIRECTIONAL ANTENNA

PACKAGE CONTENTS:

- Sector Antenna Assembly
- Mast Mount Brackets
- Worm Clamp
- Adjusting Nuts and Bolts

MP Antenna, LTD.
7887 Bliss Parkway
North Ridgeville, Ohio 44039

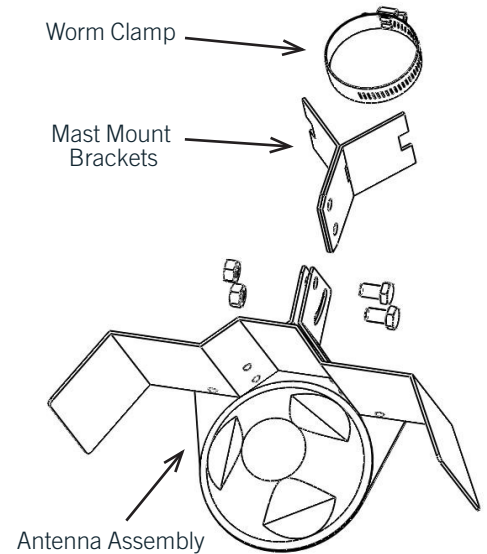
877 678 3243 *phone*
877 678 3245 *fax*
sales@mpantenna.com
www.mpantenna.com

Mast Mount Instructions

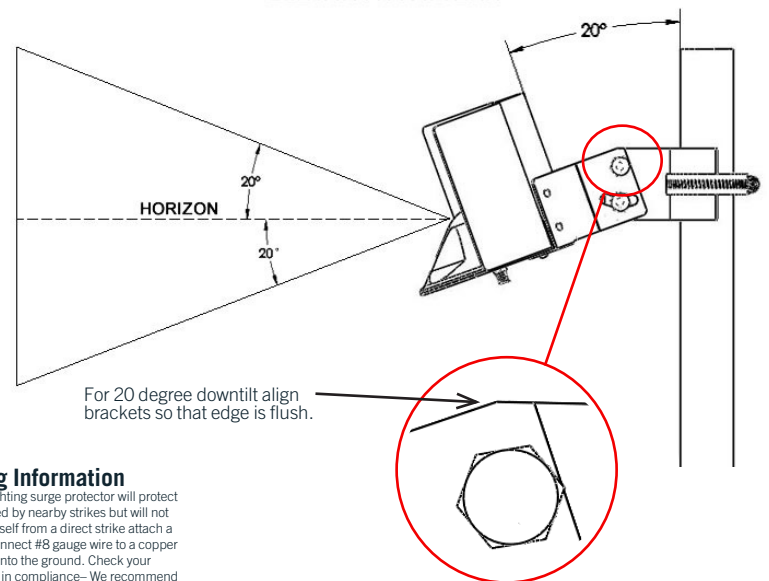
1. Attach the Mast Mount Brackets to the Sector Antenna using the adjusting bolts.
2. Slide Hose Clamp through slot on Mast Mount Brackets and around the Mast and tighten.
3. Adjust antenna angle per your desired elevation signal coverage and tighten adjusting bolts. (The antenna has a 40° signal elevation beamwidth. For elevation signal centered on the horizon we recommend a 20° downtilt as shown.)
4. Tighten both Adjusting Bolts so antenna is secure
5. Attach cable to SMA-Female Connector .

* Moisture within cable and connectors can significantly degrade performance. MP Antenna recommends all connections be sealed water tight to ensure optimal performance. Connections must not be made in a damp or wet environment.

Mast Mount Expanded Top View



ELEVATION PATTERN



Optional Grounding Information

Grounding the coax cable with a coaxial lightning surge protector will protect your equipment from voltage surges created by nearby strikes but will not protect from a direct strike. To protect yourself from a direct strike attach a lightning arrester to the antenna mast. Connect #8 gauge wire to a copper clad ground rod driving it at least four feet into the ground. Check your local electrical codes to make sure you are in compliance—We recommend calling a professional electrician to advise and/or install.

rethink the antenna™

MP Antenna reserves the right to change product information and specifications without notice. Responsibility for the use and application of MP Antenna products rests with the end user since MP Antenna cannot be aware of all potential uses. MP Antenna makes no warranties as to the fitness, merchantability, or suitability of any MP Antenna products for any specific or general uses. MP Antenna shall not be liable for incidental or consequential damages of any kind.* MP Antenna products and technology are protected under United States Patent No. 6,496,152 and other patents applied for. Please contact MP Antenna for information about using or licensing MP Antenna products or technology.



INSTALLATION INSTRUCTIONS

SECTOR WALL MOUNT

MULTI-POLARIZED HIGH GAIN DIRECTIONAL ANTENNA

PACKAGE CONTENTS:

- Sector Antenna Assembly
- Wall Mount Brackets
- Adjusting Nuts and Bolts

MP Antenna, LTD.
7887 Bliss Parkway
North Ridgeville, Ohio 44039

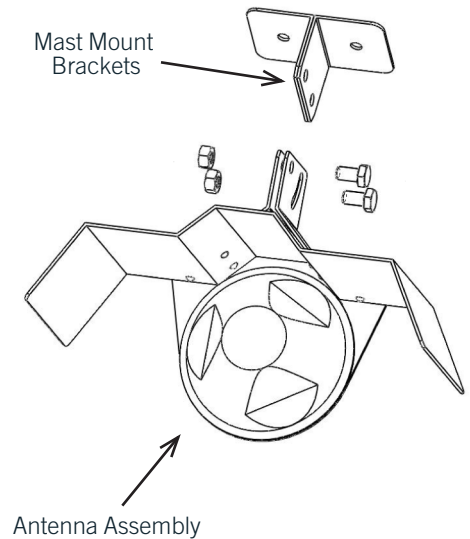
877 678 3243 *phone*
877 678 3245 *fax*
sales@mpantenna.com
www.mpantenna.com

Wall Mount Instructions

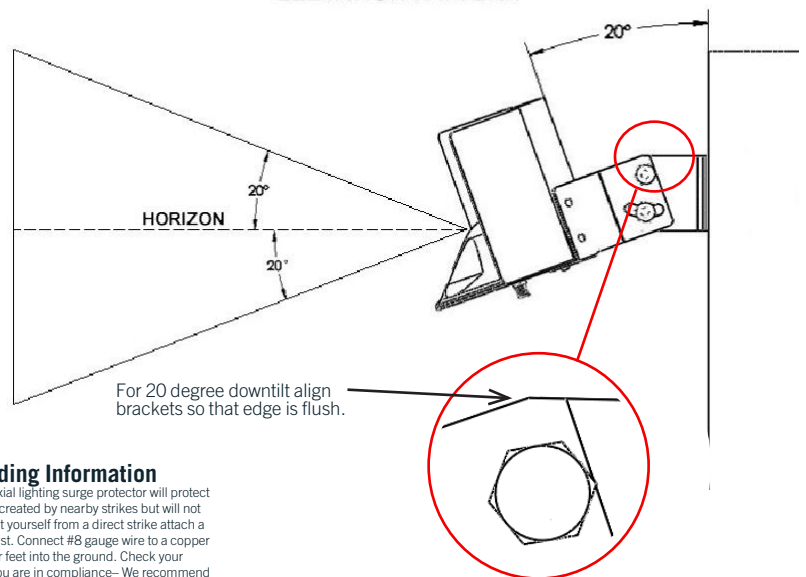
1. Screw Wall Mount Brackets to wall using mounting screws. (not provided)
2. Attach the Sector Assembly to the Wall Mount Brackets using the adjusting nuts & bolts
3. Adjust antenna angle per your desired elevation signal coverage and tighten adjusting bolts. (The antenna has a 40° signal elevation beamwidth. For elevation signal centered on the horizon we recommend a 20° downtilt as shown.)
4. Tighten both Adjusting Bolts so antenna is secure
5. Attach cable to SMA-Female Connector .

* Moisture within cable and connectors can significantly degrade performance. MP Antenna recommends all connections be sealed water tight to ensure optimal performance. Connections must not be made in a damp or wet environment.

Mast Mount Expanded Top View



ELEVATION PATTERN



Optional Grounding Information

Grounding the coax cable with a coaxial lightning surge protector will protect your equipment from voltage surges created by nearby strikes but will not protect from a direct strike. To protect yourself from a direct strike attach a lightning arrester to the antenna mast. Connect #8 gauge wire to a copper clad ground rod driving it at least four feet into the ground. Check your local electrical codes to make sure you are in compliance— We recommend calling a professional electrician to advise and/or install.

rethink the antenna™

MP Antenna reserves the right to change product information and specifications without notice. Responsibility for the use and application of MP Antenna products rests with the end user since MP Antenna cannot be aware of all potential uses. MP Antenna makes no warranties as to the fitness, merchantability, or suitability of any MP Antenna products for any specific or general uses. MP Antenna shall not be liable for incidental or consequential damages of any kind.* MP Antenna products and technology are protected under United States Patent No. 6,496,152 and other patents applied for. Please contact MP Antenna for information about using or licensing MP Antenna products or technology.