



DIMENSIONS

SECTOR 120-2.4GHZ

MULTI-POLARIZED HIGH GAIN DIRECTIONAL ANTENNA

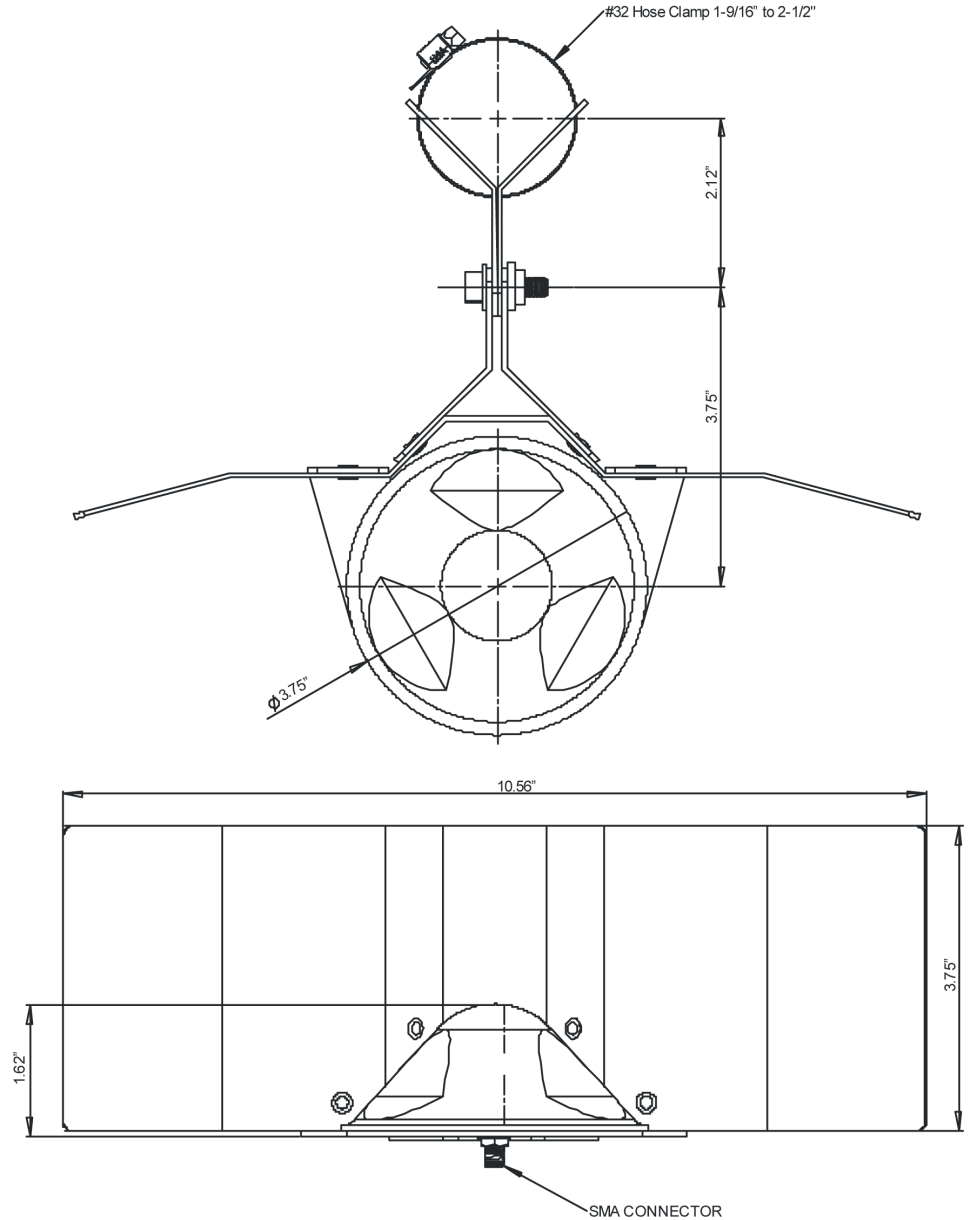
MODEL NO:

08-ANT-0867

MP Antenna, LTD.
7887 Bliss Parkway
North Ridgeville, Ohio 44039

877 678 3243 *phone*
877 678 3245 *fax*
sales@mpantenna.com
www.mpantenna.com

Mast Mount



*Drawing Not To Scale

rethink the antenna™

MP Antenna products and technology are protected under United States Patent No. 6,496,152. Other patents pending. Please contact MP Antenna for information about using or licensing MP Antenna products or technology.



DIMENSIONS

SECTOR 120-2.4GHZ

MULTI-POLARIZED HIGH GAIN DIRECTIONAL ANTENNA

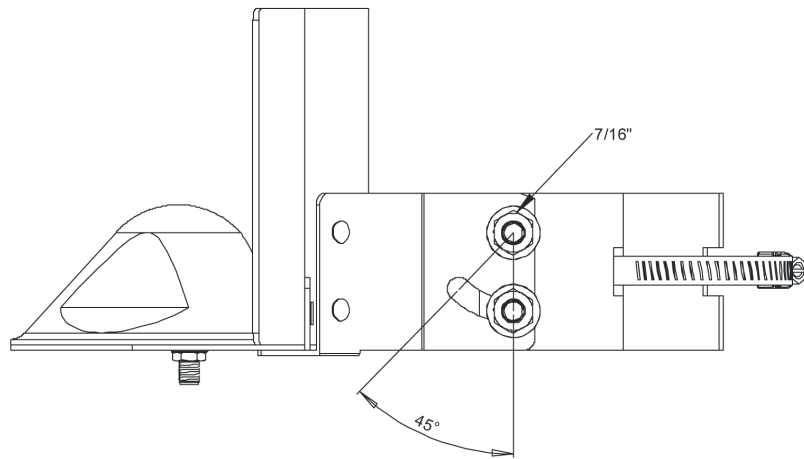
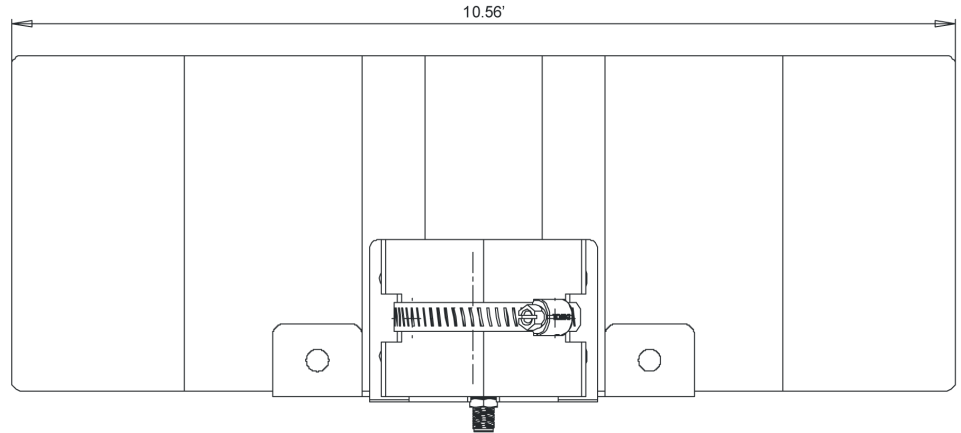
MODEL NO:

08-ANT-0867

MP Antenna, LTD.
7887 Bliss Parkway
North Ridgeville, Ohio 44039

877 678 3243 *phone*
877 678 3245 *fax*
sales@mpantenna.com
www.mpantenna.com

Mast Mount



*Drawing Not To Scale

rethink the antenna™

MP Antenna products and technology are protected under United States Patent No. 6,496,152. Other patents pending. Please contact MP Antenna for information about using or licensing MP Antenna products or technology.



DIMENSIONS

SECTOR 120-2.4GHZ

MULTI-POLARIZED HIGH GAIN DIRECTIONAL ANTENNA

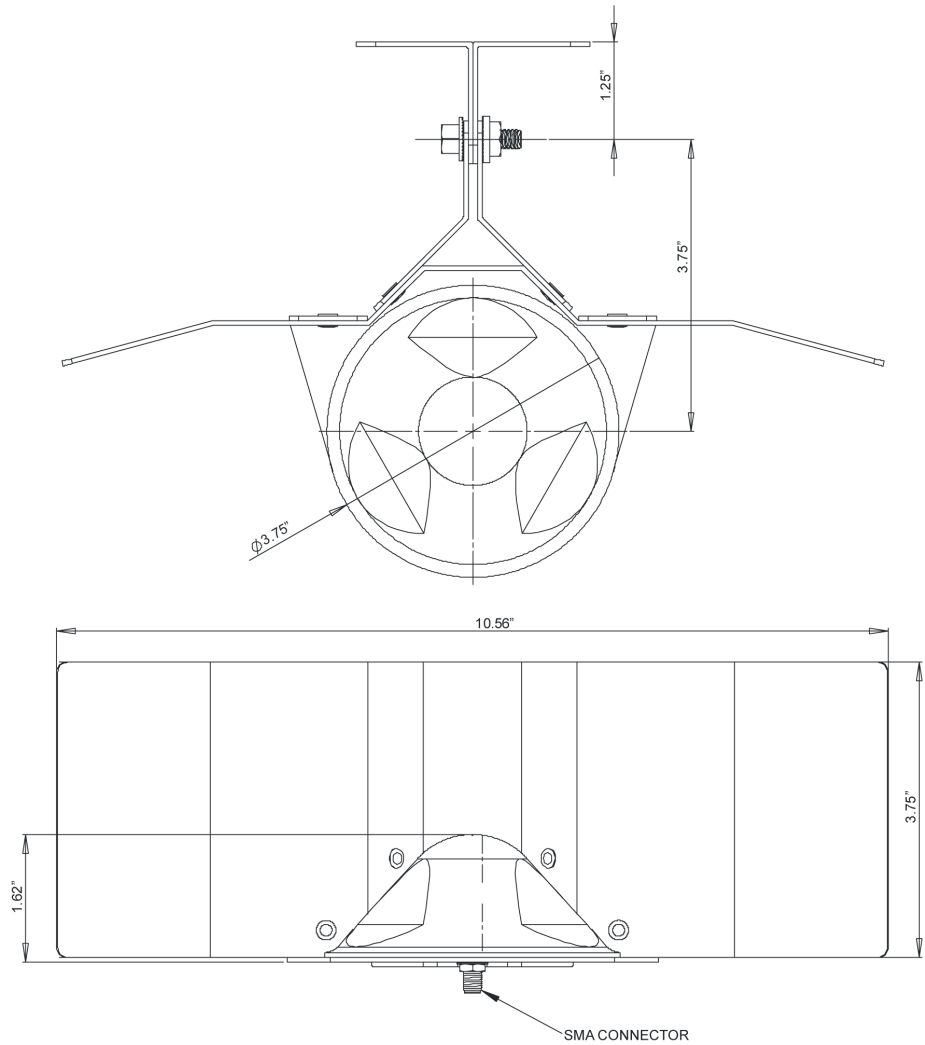
MODEL NO:

08-ANT-0867

MP Antenna, LTD.
7887 Bliss Parkway
North Ridgeville, Ohio 44039

877 678 3243 *phone*
877 678 3245 *fax*
sales@mpantenna.com
www.mpantenna.com

Wall Mount



*Drawing Not To Scale

rethink the antenna™

MP Antenna products and technology are protected under United States Patent No. 6,496,152. Other patents pending. Please contact MP Antenna for information about using or licensing MP Antenna products or technology.



DIMENSIONS

SECTOR 120-2.4GHZ

MULTI-POLARIZED HIGH GAIN DIRECTIONAL ANTENNA

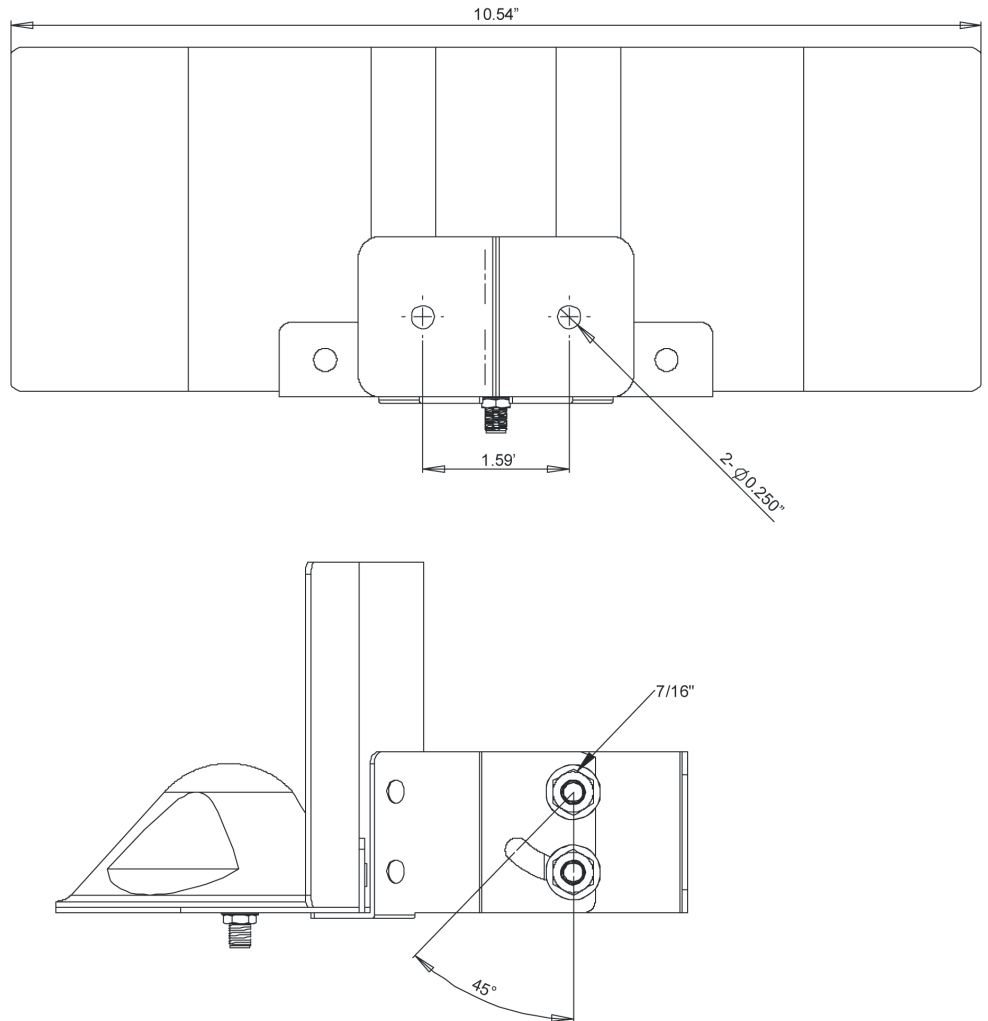
MODEL NO:

08-ANT-0867

MP Antenna, LTD.
7887 Bliss Parkway
North Ridgeville, Ohio 44039

877 678 3243 *phone*
877 678 3245 *fax*
sales@mpantenna.com
www.mpantenna.com

Wall Mount



*Drawing Not To Scale

rethink the antenna™

MP Antenna products and technology are protected under United States Patent No. 6,496,152. Other patents pending. Please contact MP Antenna for information about using or licensing MP Antenna products or technology.