



INSTALLATION INSTRUCTIONS

OMNI ADHESIVE MOUNT

OMNI DIRECTIONAL MULTI-POLARIZED WIFI ANTENNA

PACKAGE CONTENTS:

- Multi-Polarized Antenna
- Adhesive Patch

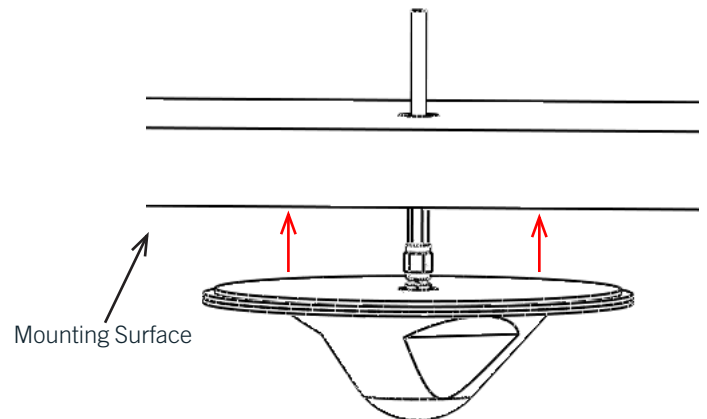
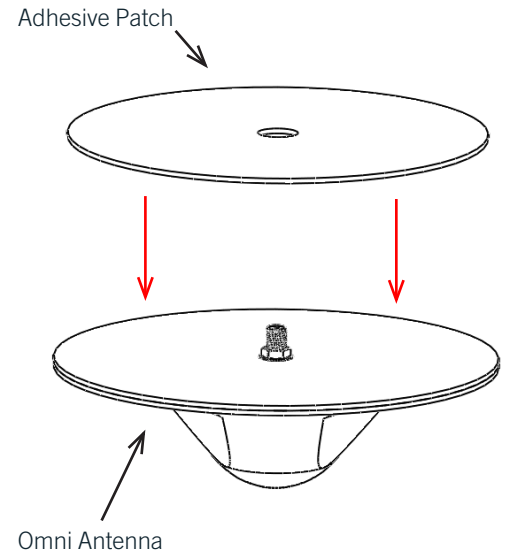
MP Antenna, LTD.
7887 Bliss Parkway
North Ridgeville, Ohio 44039

877 678 3243 *phone*
877 678 3245 *fax*
sales@mpantenna.com
www.mpantenna.com

Adhesive Mount Instructions

1. Drill hole through mounting surface (ceiling, wall, etc.) large enough to fit coax and connector.
2. Remove bottom liner from adhesive patch and adhere to back of Omni antenna.
3. Attach cable to SMA-Female Connector.
4. Remove top liner from adhesive patch (tear if needed).
5. Push coax through hole and stick antenna in place.

* Moisture within cable and connectors can significantly degrade performance. MP Antenna recommends all connections be sealed water tight to ensure optimal performance. Connections must not be made in a damp or wet environment.



rethink the antenna™

MP Antenna reserves the right to change product information and specifications without notice. Responsibility for the use and application of MP Antenna products rests with the end user since MP Antenna cannot be aware of all potential uses. MP Antenna makes no warranties as to the fitness, merchantability, or suitability of any MP Antenna products for any specific or general uses. MP Antenna shall not be liable for incidental or consequential damages of any kind.* MP Antenna products and technology are protected under United States Patent No. 6,496,152 and other patents applied for. Please contact MP Antenna for information about using or licensing MP Antenna products or technology.



INSTALLATION INSTRUCTIONS

OMNI STUD MOUNT

OMNI DIRECTIONAL MULTI-POLARIZED WIFI ANTENNA

PACKAGE CONTENTS:

- Multi-Polarized Antenna
- Gasket
- 2 Flat Washers
- 2 Lock Washers
- Nuts

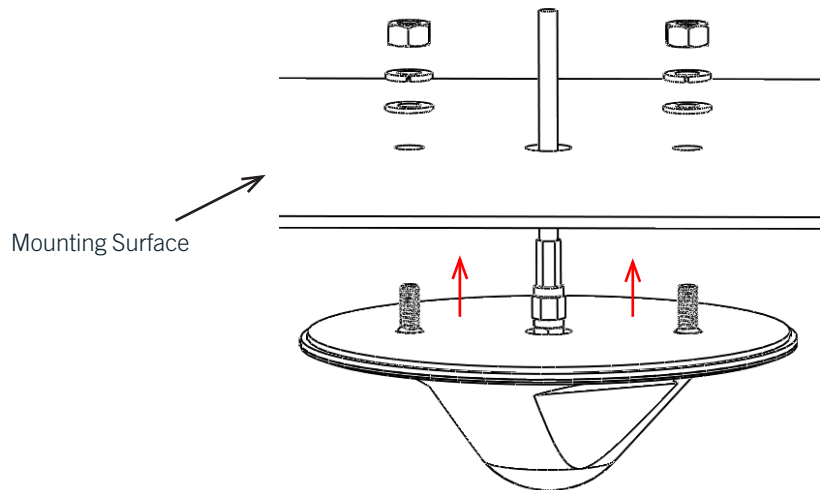
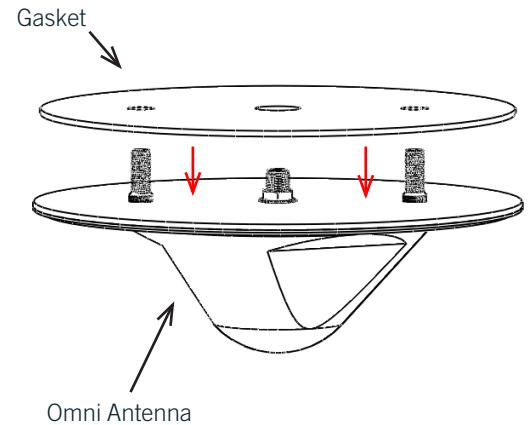
MP Antenna, LTD.
7887 Bliss Parkway
North Ridgeville, Ohio 44039

877 678 3243 *phone*
877 678 3245 *fax*
sales@mpantenna.com
www.mpantenna.com

Stud Mount Instructions

1. Use the included gasket as template to mark points for drilling.
2. Drill holes through mounting surface large enough to fit coax, connector and mounting studs.
3. Install gasket on back of antenna.
4. Attach cable to SMA-Female Connector.
5. Push coax through hole, install washers and nuts and tighten.

* Moisture within cable and connectors can significantly degrade performance. MP Antenna recommends all connections be sealed water tight to ensure optimal performance. Connections must not be made in a damp or wet environment.



rethink the antenna™

MP Antenna reserves the right to change product information and specifications without notice. Responsibility for the use and application of MP Antenna products rests with the end user since MP Antenna cannot be aware of all potential uses. MP Antenna makes no warranties as to the fitness, merchantability, or suitability of any MP Antenna products for any specific or general uses. MP Antenna shall not be liable for incidental or consequential damages of any kind.* MP Antenna products and technology are protected under United States Patent No. 6,496,152 and other patents applied for. Please contact MP Antenna for information about using or licensing MP Antenna products or technology.