



DIMENSIONS

SUPER-M 400 MOBILE

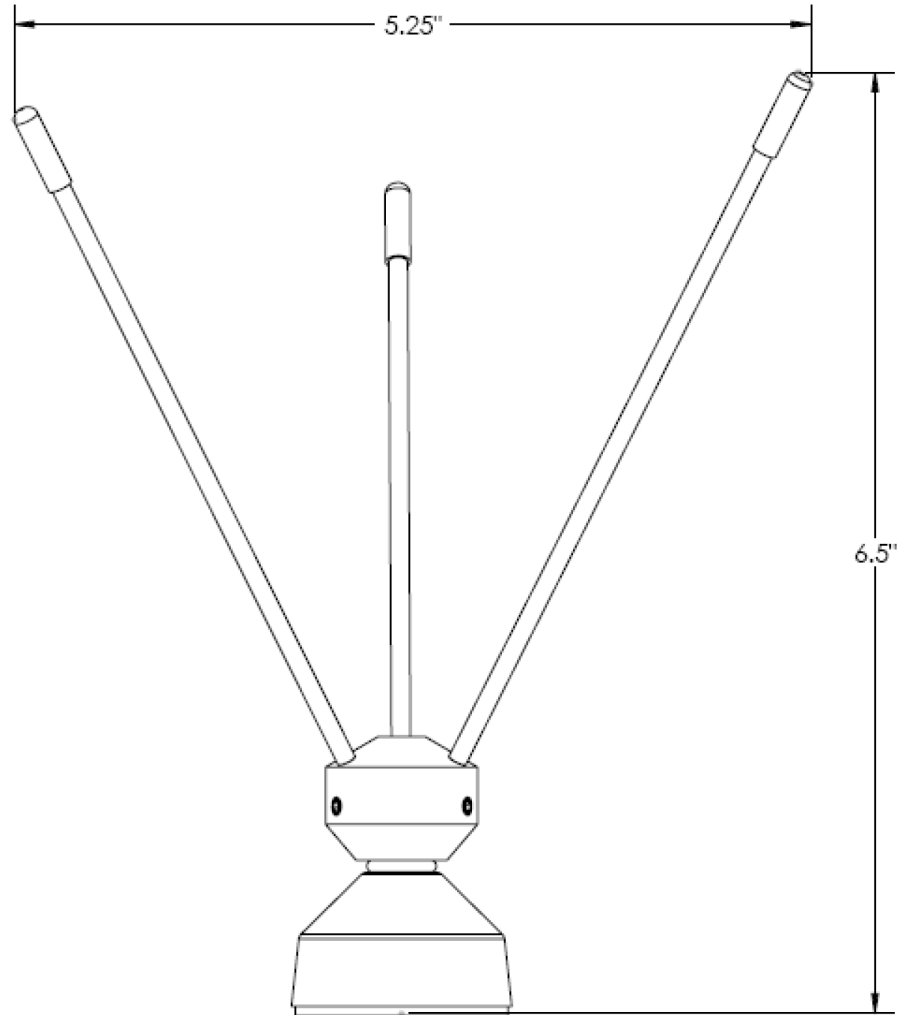
MULTI-POLARIZED MOBILE TWO-WAY RADIO ANTENNA

MODEL NO:

08-ANT-0864

MP Antenna, LTD.
7887 Bliss Parkway
North Ridgeville, Ohio 44039

877 678 3243 *phone*
877 678 3245 *fax*
sales@mpantenna.com
www.mpantenna.com



*Drawing Not To Scale

rethink the antenna™

MP Antenna products and technology are protected under United States Patent No. 6,496,152. Other patents pending. Please contact MP Antenna for information about using or licensing MP Antenna products or technology.