



DATA SHEET

Above Ceiling Mount Kit

FOR USE WITH 08-ANT-0885 AND 08-ANT-0908 MODEL ANTENNAS

MODEL NO:

10406

MP Antenna, LTD.
147 Eady Court
Elyria, Ohio 44035

440 387 5968 *phone*
877 678 3245 *fax*
sales@mpantenna.com
www.mpantenna.com

Specifications

Environmental Conditions: Indoor
Operating Temperature: -40 to 85 deg C
Storage Temperature: -40 to 85 deg C
Transport Temperature: -40 to 85 deg C
Diameter: 10.5 in
Height: 2.9 in
Weight: 5 oz
ROHS: Compliant
Material: UL 94 V0 Rated Plastic

08-ANT-0885 Antenna Installed on 10406 Above Ceiling Mount.
*Antenna not included.



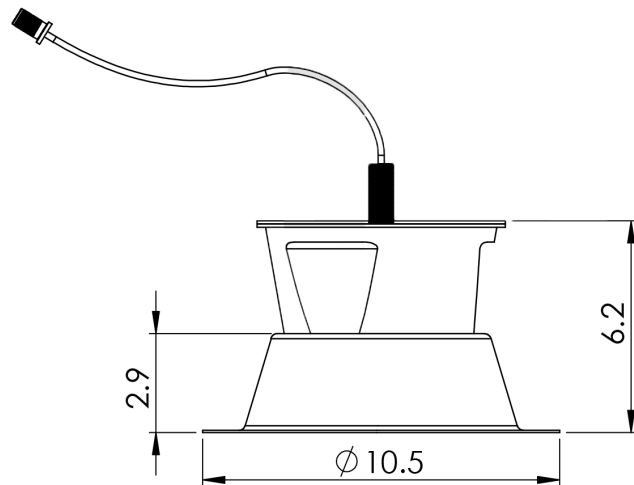
Product Overview

The MP Antenna 10406 Above Ceiling Mount Kit allows for installation of the antenna above the ceiling to conceal it from view. The antenna is attached to the top side of the ceiling tile, or other ceiling structure using a plastic support. The plastic support can be attached to the top side of the ceiling using the included double sided adhesive tape.

Installation

1. Clean the top of the antenna radome.
2. Remove film covering the double sided tape strips on the center of the plastic mount.
3. Insert the top of the antenna radome into the plastic mount and press together firmly.
4. Clean the area above the ceiling where the antenna will be mounted.
5. Remove film covering the double sided tape strips on the bottom of the plastic mount.
6. Attach the antenna assembly to the ceiling tile and press firmly onto the ceiling.

Depending on ceiling material, use screws to fasten the plastic support to the ceiling.



All Dimensions in inches