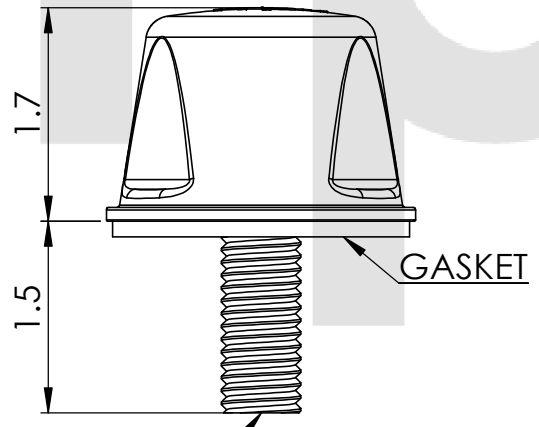
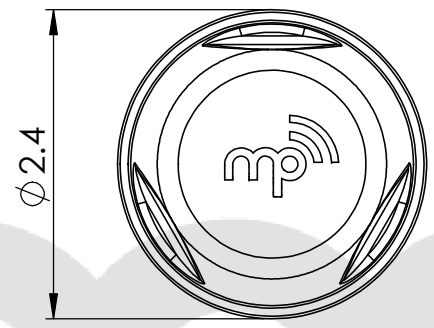
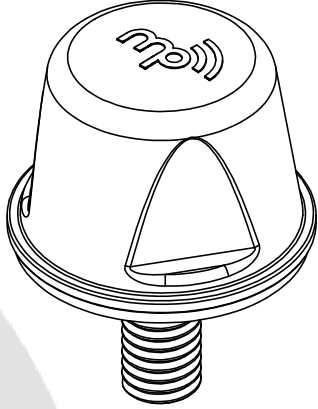
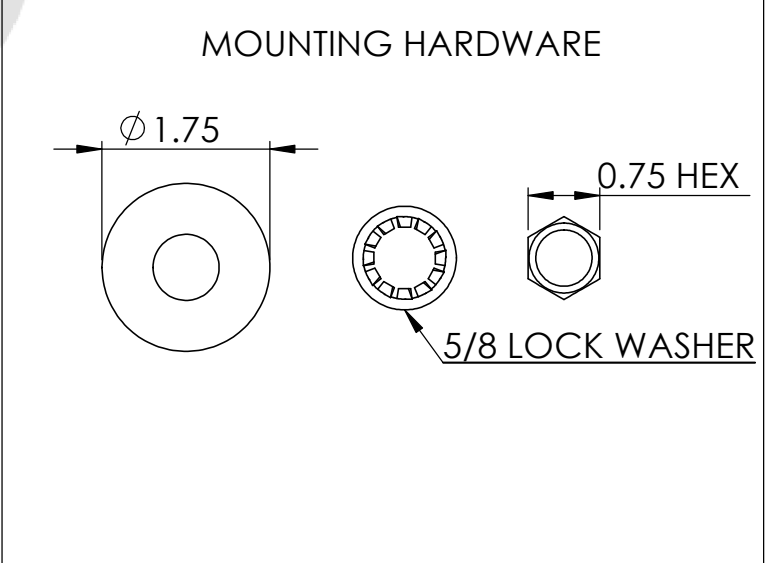


FREQUENCY RANGE	MOUNTING HOLE DIAMETER	MAX MOUNTING SURFACE THICKNESS	COLOR
2-3 GHz; 4.9-5.9 GHz	0.65 INCHES MIN 1.0 INCHES MAX	0.5 INCHES	BLACK



N-FEMALE CONNECTOR



MP ANTENNA, LTD.  
147 Eady Court  
Elyria, OH 44035  
www.mpantenna.com

THIRD ANGLE	DIMENSIONS ARE IN INCHES	
	NAME	DATE
DRAWN	BM	1/2/15

**PROPRIETARY AND CONFIDENTIAL**  
THE INFORMATION CONTAINED IN THIS DRAWING IS THE SOLE PROPERTY OF MP ANTENNA, LTD. ANY REPRODUCTION IN PART OR AS A WHOLE WITHOUT THE WRITTEN PERMISSION OF MP ANTENNA LTD IS PROHIBITED.

DESCRIPTION:  
DUAL BAND OMNI

PART NO.  
08-ANT-0930